



WORL DLAWN[®]
POWER EQUIPMENT



**ELECTRIC
DIAMONDBACK**

**WYDB52L16
WYDB60L16**

PARTS MANUAL



WORLDLAWN[®]

POWER EQUIPMENT

WORLDLAWN.COM

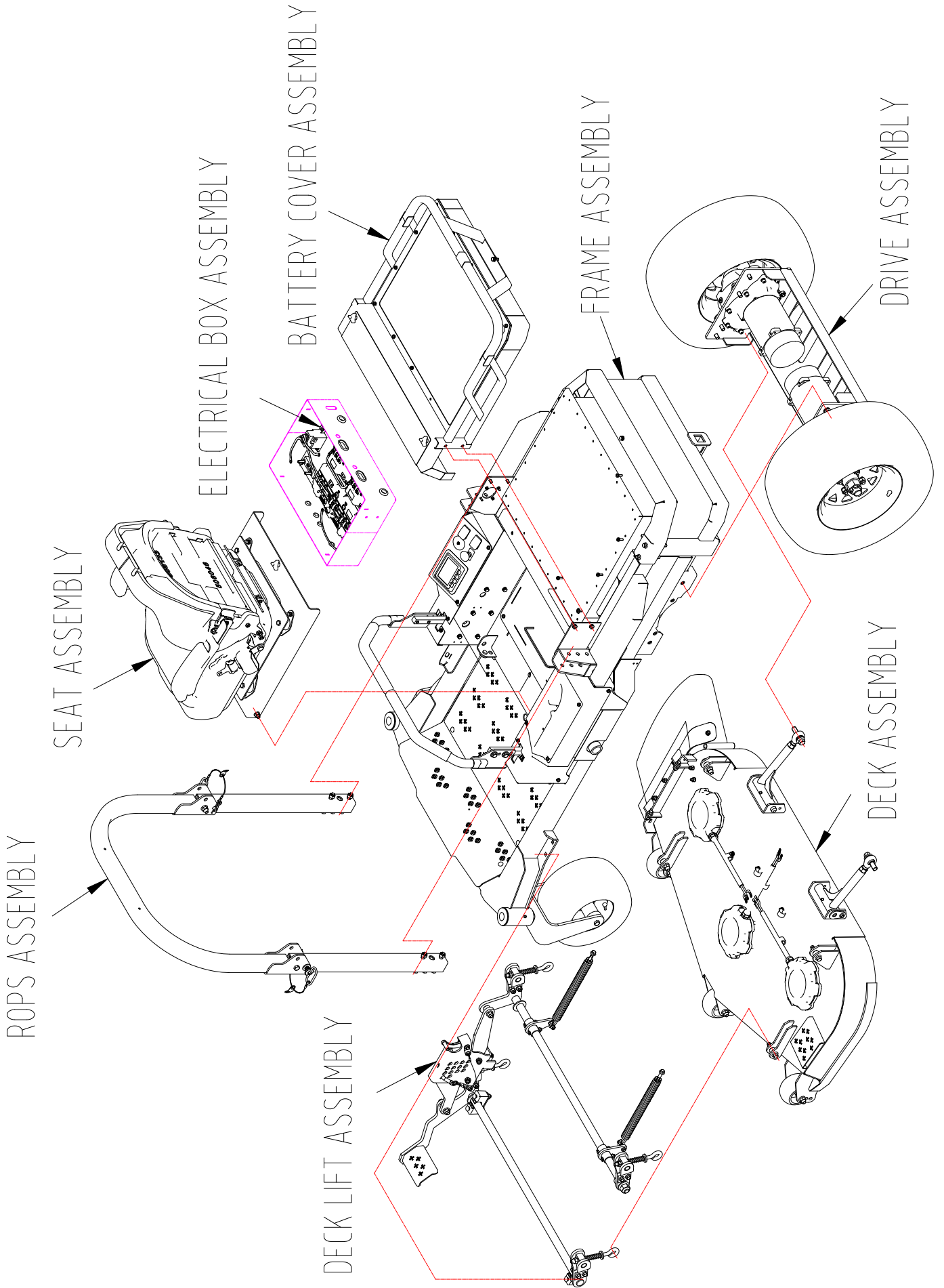
 **401 COMMERCE STREET
BEATRICE, NE 68310**

 **800-267-4255**

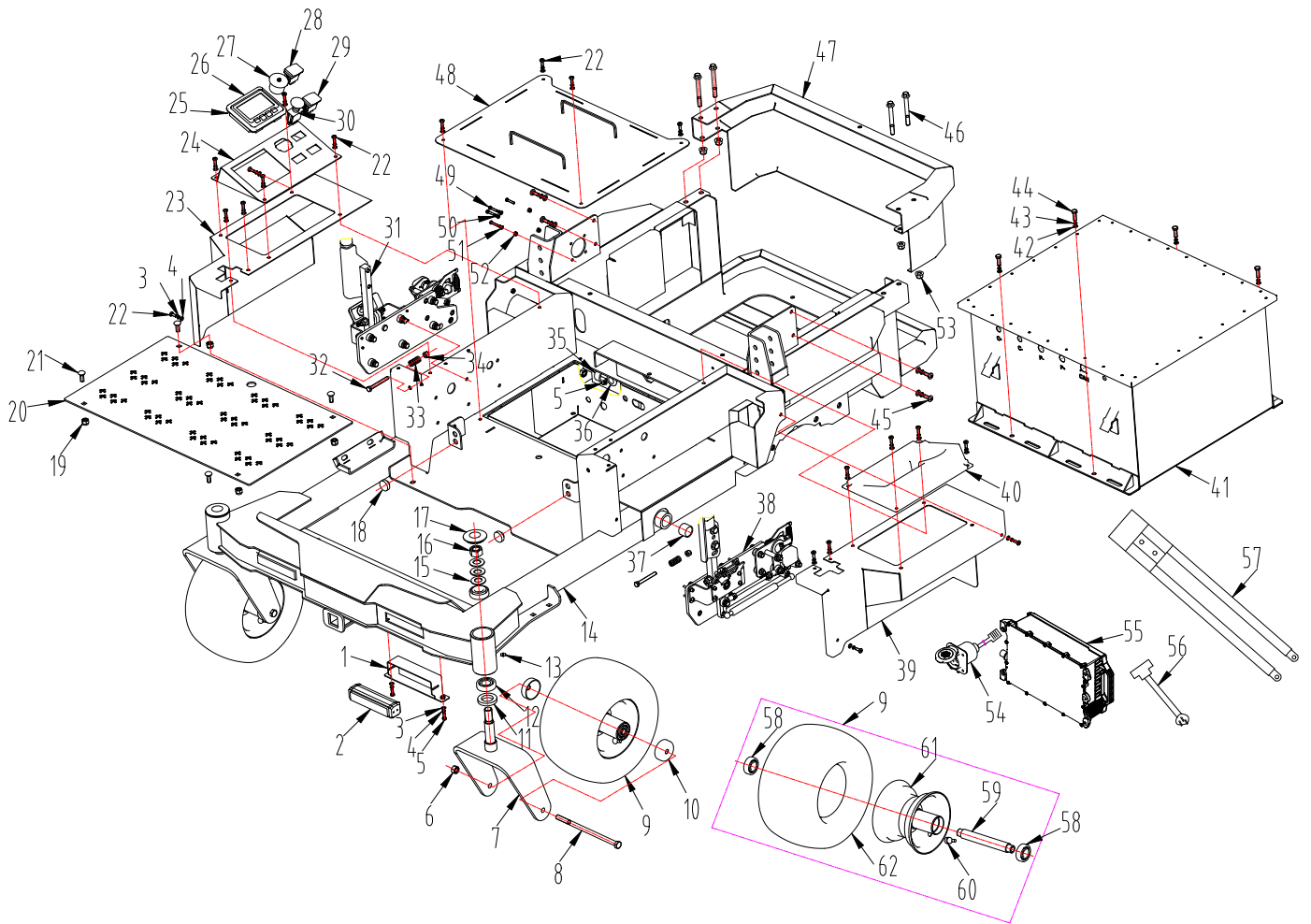
 **402-223-4103**

CONTENTS

| | |
|---|-----------|
| FRAME ASSEMBLY..... | 5 |
| MOTION CONTROL ASSEMBLY..... | 8 |
| BATTERY COVER ASSEMBLY..... | 12 |
| ELECTRICAL BOX ASSEMBLY..... | 13 |
| SEAT ASSEMBLY..... | 15 |
| DRIVE ASSEMBLY..... | 16 |
| DECK ASSEMBLY..... | 17 |
| DECK LIFT ASSEMBLY..... | 21 |
| ROPS ASSEMBLY..... | 23 |
| WIRING DIAGRAM..... | 24 |
| DECALS - SAFETY & OPERATION..... | 25 |



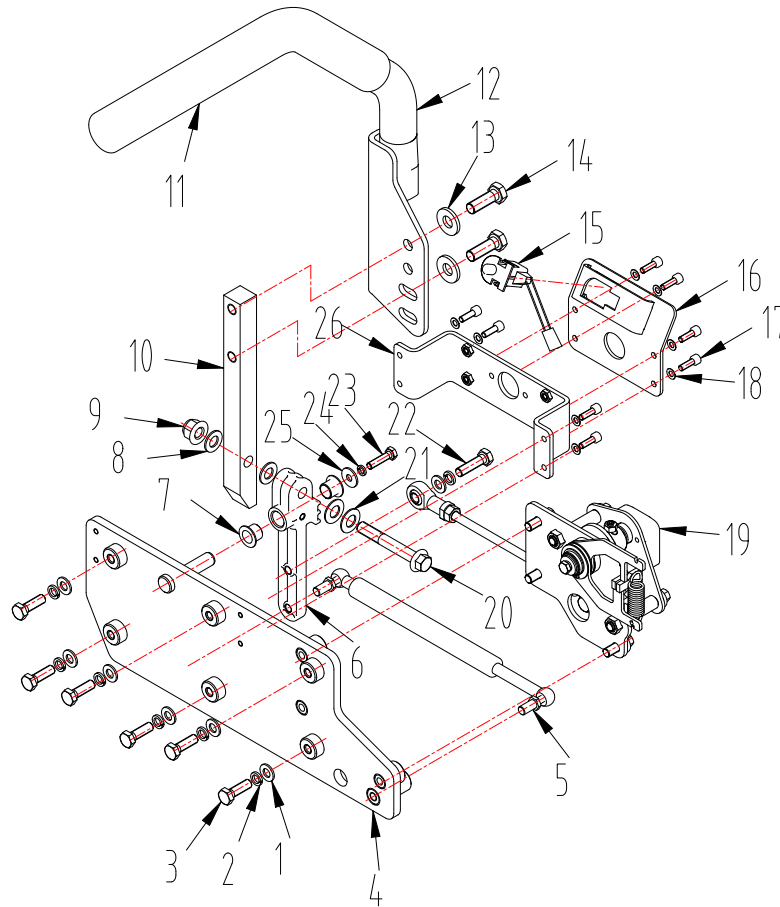
FRAME ASSEMBLY



| ITEM | PART NUMBER | DESCRIPTION |
|------|---------------|--|
| 1 | 5232281 | WLD, HEADLIGHT MT |
| 2 | 5238035 | HEADLIGHT EV |
| 3 | B97.1-6 | WASHER 6 |
| 4 | B93-6 | LOCKWASHER 6 |
| 5 | B5783-616 | SCREW, HH TAP M6×16 |
| 6 | B6184-12 | NUT, M12 |
| 7 | 542011-2 | WLD, CASTER FORK 6.5, RED |
| 8 | 543189 | BOLT, M12 X 225 MM |
| 9 | 632041G | ASM, BLK WHL COMPLETE 13 X 6.5-6 PNEUMATIC |
| 10 | 632041G-11 | CAP, DUST |
| 11 | B13871-B32528 | SEAL(F) 32×52×8 |
| 12 | B297-30205 | BEARING 30205 |
| 13 | B1153-6 | GREASE FITTING M6 |
| 14 | 5232001 | WLD, EV FRAME |
| 15 | B1972-A40 | WASHER, SPRING DISC A40 |
| 16 | B6184-20 | NUT, M20 LKNG TORQUE |
| 17 | 5202009 | CAP, DUST |
| 18 | 633422 | BUMPER, RUBBER |
| 19 | B6182-10 | NUT, NYLOC M10 |
| 20 | 5232087 | FOOT PLATE |
| 21 | B801-1025 | BOLT, CARRIAGE SN M10 X 25 |
| 22 | B818-616 | SCREW M6×16 |
| 23 | 5232170 | WLD, FENDER RH |
| 24 | 5232185 | WLD, CONTROL PANEL |
| 25 | WDS320.14-10 | SEAL, LCD PANEL |
| 26 | 5238045 | PANEL, LCD |
| 27 | 5238037 | SWITCH, QUICK MT IGN |
| 28 | 5238043 | SWITCH, GND SPEED |
| 29 | 5238042 | SWITCH, BLADE SPD |
| 30 | 4807005G | SWITCH, PTO |
| 31 | 5232123 | ASM, MOTION CONTROL RH |
| 32 | B5783-870 | BOLT M8 X 70 |
| 33 | 5205003 | SPRING, COMPRESSION |
| 34 | B6183.1-8 | FLANGED LOCKNUT M8 |
| 35 | 5238053 | CLAMP, 25MM CABLE |
| 36 | 4LZ2.16.4-04 | GROMMET |
| 37 | B12613-322820 | BUSHING 32 X 28 X 20 |
| 38 | 5232110 | ASM, MOTION CONTROL LH |

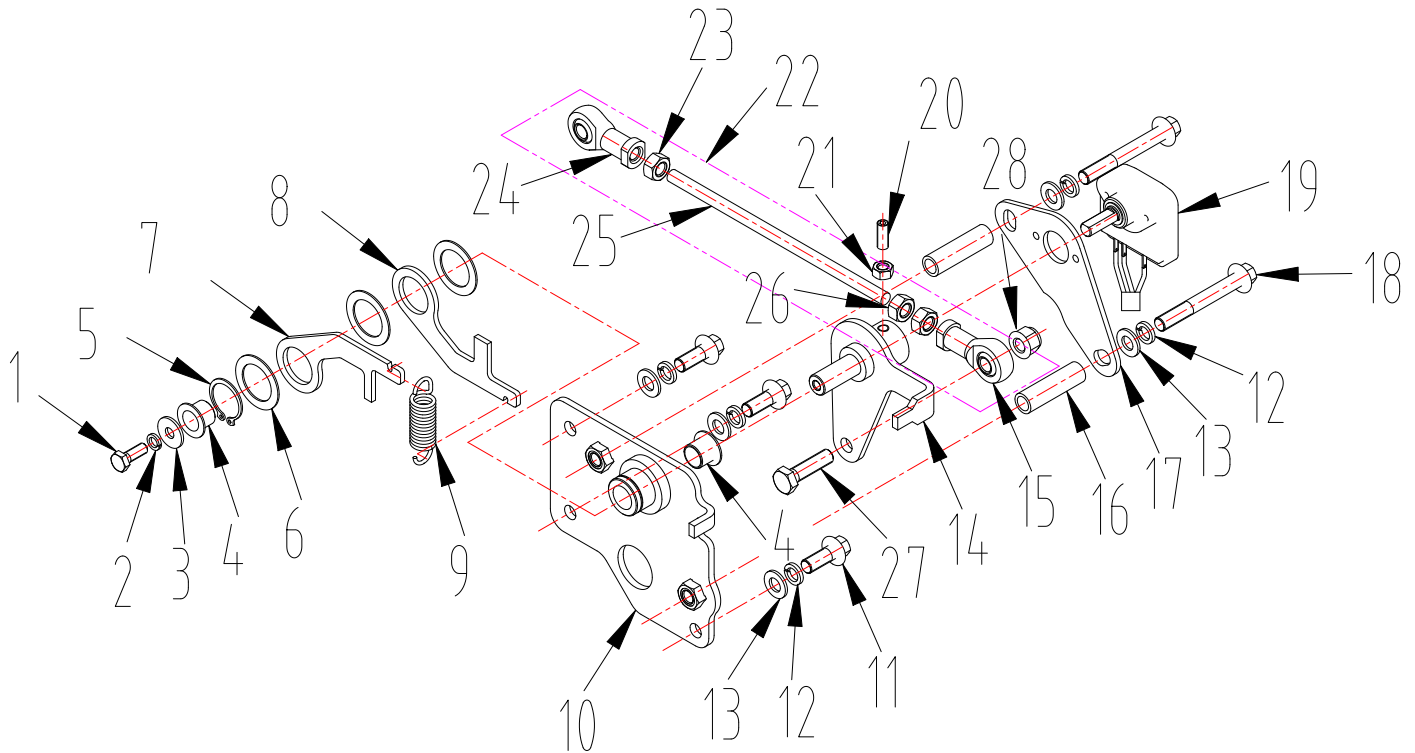
| | | |
|----|-------------|-----------------------------------|
| 39 | 5232175 | WLD, FENDER LH |
| 40 | 5232195 | TRAY, LH |
| 41 | 5238047 | BATTERY PACK |
| | 5238047A | BATTERY PACK |
| 42 | B97.1-8 | WASHER 8 |
| 43 | B93-8 | WASHER 8 - LOCKWASHER |
| 44 | B5783-825 | HEX HD BOLT M8×25 |
| 45 | B818-820 | SCREW, M8 X 20MM |
| 46 | B5787-1090 | SCREW, HH FLANGE M10 X 90 |
| 47 | 5232290 | WLD, REAR FRAME |
| 48 | 5232286 | WLD, CONTROL COVER |
| 49 | B818-525 | SCREW, M5 X 25MM |
| 50 | B93-5 | WASHER 5 |
| 51 | B97.1-5 | WASHER 5 |
| 52 | B6183.1-5 | NUT M5 |
| 53 | B6183-10 | NUT, NYLOC FLANGE M10 |
| 54 | 5238059 | HARNESS, CHARGE PORT |
| 55 | 5238057 | CHARGER 120V/240V |
| 56 | 5238080 | HARNESS, CHARGER ADPTR |
| 57 | 5238058 | CORD, CONTROLLER PWR |
| 58 | B276-6204RS | BEARING |
| 59 | 632041G-10 | TUBE, AXLE |
| 60 | 632041G-9 | AIR NOZZLE |
| 61 | 632041G-4 | WLD, WHEEL 13 X 6.5-6 PNEUM-BLACK |
| 62 | 542007 | TIRE, 13X6.5-6 PNEUMATIC |

MOTION CONTROL ASSEMBLY(RIGHT)



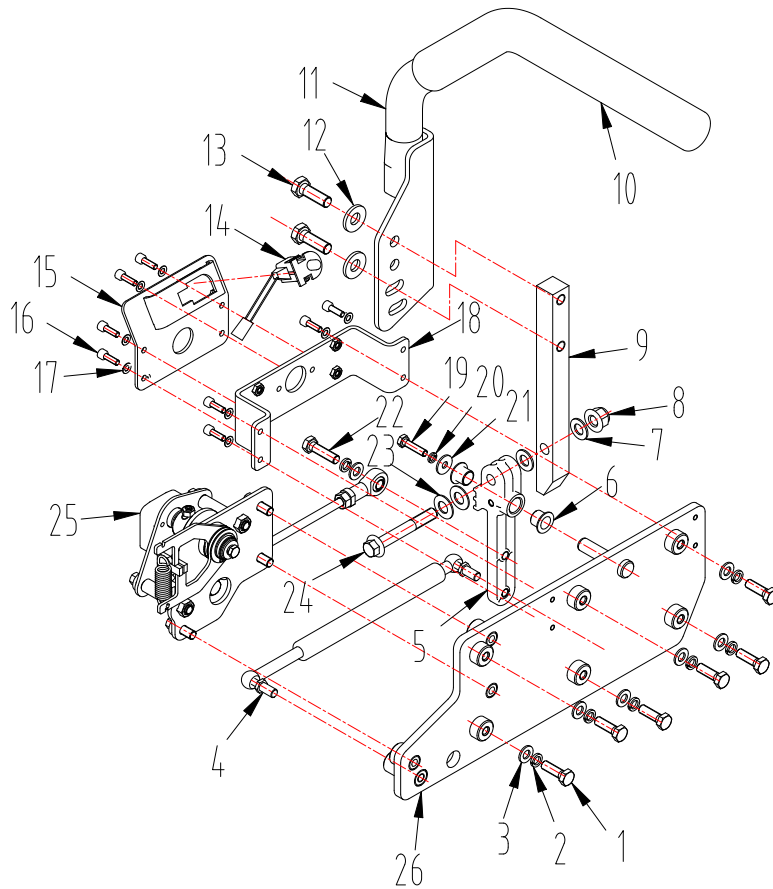
| ITEM | PART NUMBER | DESCRIPTION | ITEM | PART NUMBER | DESCRIPTION |
|------|-------------|-------------------------------|------|---------------|---------------------------------|
| 1 | B97.1-8 | WASHER 8 | 15 | 5238083 | SWITCH,EZTR NEU |
| 2 | B93-8 | WASHER 8 - LOCKWASHER | 16 | 5232131 | RH NEU SWITCH MT |
| 3 | B5783-825 | HEX HD BOLT M8×25 | 17 | B70.1-516 | M5 × 16MM SHCS |
| 4 | 5232121 | WLD, CONTROL MT | 18 | B1972-A10 | SPRING WASHER A10 |
| 5 | 5205020 | DAMPER W/STUDS | 19 | 5232090A | ASM, RTN RH |
| 6 | 5232112 | HANDLE | 20 | B16674.1-1065 | FHCS M10 × 65 |
| 7 | 3224020 | BUSHING, 12×14×12 | 21 | B1972-A22.5-2 | WASHER, SPRING DISC A22.5 OD |
| 8 | 5232113 | WASHER | 22 | B5783-830 | SCREW, HH TAP M8×30 |
| 9 | B6183-10 | NUT, NYLOC FLANGE M10 | 23 | B5783-616 | SCREW, HH TAP M6×16 |
| 10 | 5232114 | MT, LAP BAR | 24 | B93-6 | LOCKWASHER 6 |
| 11 | 543156 | GRIP, MOTION CONTROL LEVER | 25 | B96-6 | WASHER, FLAT LARGE M6 |
| 12 | 5232139 | WLD, LAP BAR | 26 | 5232117 | WLD, CONTROL BRKT |
| 13 | 5201061 | WASHER | | | |
| 14 | B5783-1030 | HEX HD BOLT M10×30 | | | |

MOTION CONTROL ASSEMBLY(RIGHT)



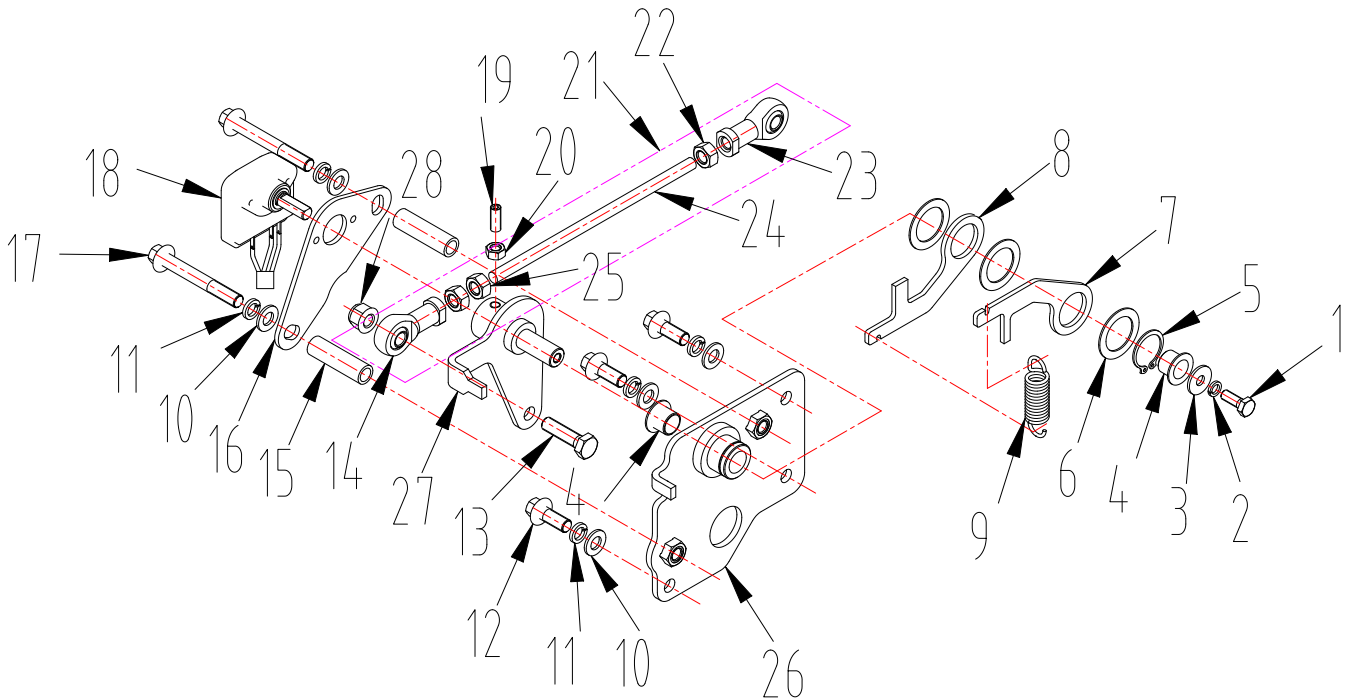
| ITEM | PART NUMBER | DESCRIPTION | ITEM | PART NUMBER | DESCRIPTION |
|------|-------------|-------------------------|------|----------------|-------------------------|
| 1 | B5783-616 | SCREW, HH TAP M6×16 | 15 | B9161-SIBJK8C | ROD END 8M RH |
| 2 | B93-6 | LOCKWASHER 6 | 16 | 5232069 | SPACER |
| 3 | B96-6 | WASHER, FLAT LARGE M6 | 17 | 5232071 | PLATE, POT MT |
| 4 | 543154 | BUSHING, MOTION CONTROL | 18 | B5787-860 | SCREW, HH FLANGED M8×60 |
| 5 | B894.1-22 | SNAP RING 22 | 19 | 5238003 | POTENTIOMETER |
| 6 | 5232078 | SHIM | 20 | B77-616 | SETSCREW, M6 X 16MM |
| 7 | 5232079A | ARM, RTN | 21 | B6170-6 | NUT M6 |
| 8 | 5232079 | ARM, RTN | 22 | 5232088 | ASM, CONTROL LINK |
| 9 | 5232080 | SPRING, RTN | 23 | B6170-8L | NUT M8, LEVO |
| 10 | 5232085 | WLD, RTN CONTROL RH | 24 | B9161-SIBJK8CL | ROD END 8MM LH |
| 11 | B5783-820 | SCREW, HH TAP M8×20 | 25 | 5232089 | WLD, CONTROL MT LH |
| 12 | B93-8 | WASHER 8 - LOCKWASHER | 26 | B6170-8 | NUT M8 |
| 13 | B97.1-8 | WASHER 8 | 27 | B5783-830 | SCREW, HH TAP M8×30 |
| 14 | 5232082A | WLD, RTN PIVOT RH | 28 | B6183-8 | NUT, FLANGED NYLOC M8 |

MOTION CONTROL ASSEMBLY(LEFT)



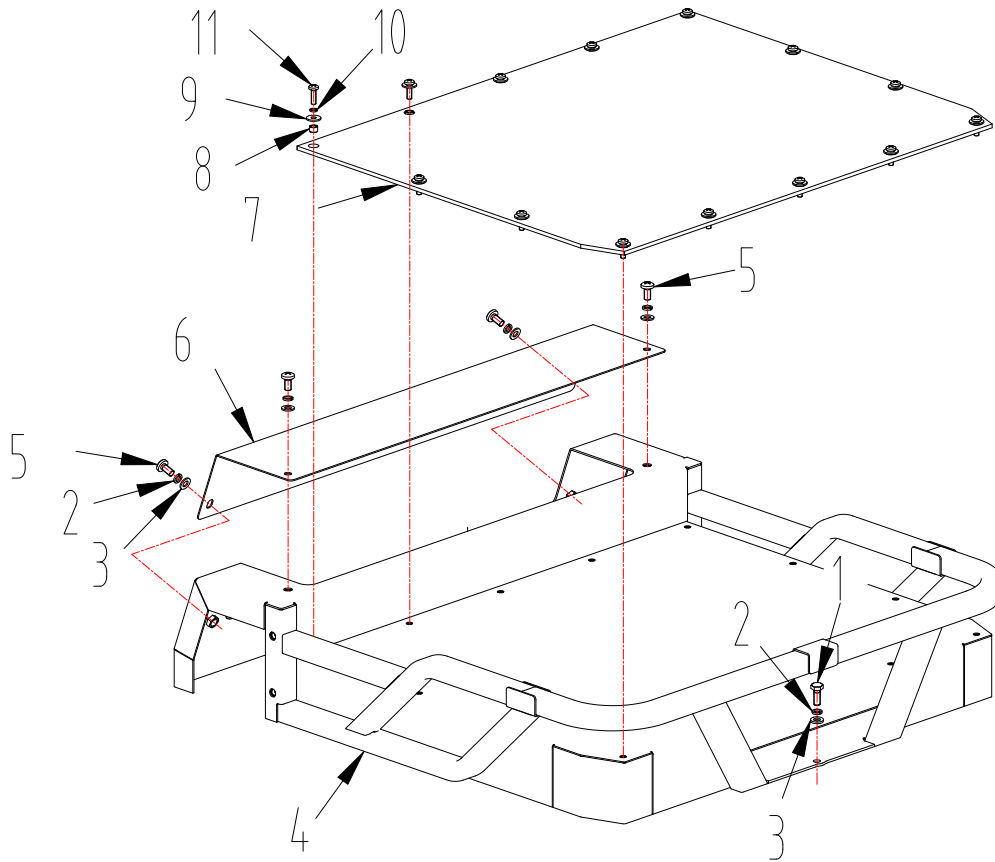
| ITEM | PART NUMBER | DESCRIPTION | ITEM | PART NUMBER | DESCRIPTION |
|------|-------------|----------------------------|------|---------------|------------------------------|
| 1 | B5783-825 | HEX HD BOLT M8×25 | 15 | 5232125 | WLD, LH NEU SWITCH MT |
| 2 | B93-8 | WASHER 8 - LOCKWASHER | 16 | B70.1-516 | M5 × 16MM SHCS |
| 3 | B97.1-8 | WASHER 8 | 17 | B1972-A10 | SPRING WASHER A10 |
| 4 | 5205020 | DAMPER W/STUDS | 18 | 5232117 | WLD, CONTROL BRKT |
| 5 | 5232112 | HANDLE | 19 | B5783-616 | SCREW, HH TAP M6×16 |
| 6 | 3224020 | BUSHING, 12×14×12 | 20 | B93-6 | LOCKWASHER 6 |
| 7 | 5232113 | WASHER | 21 | B96-6 | WASHER, FLAT LARGE M6 |
| 8 | B6183-10 | NUT, NYLOC FLANGE M10 | 22 | B5783-830 | SCREW, HH TAP M8×30 |
| 9 | 5232114 | MT, LAP BAR | 23 | B1972-A22.5-2 | WASHER, SPRING DISC A22.5 OD |
| 10 | 543156 | GRIP, MOTION CONTROL LEVER | 24 | B16674.1-1065 | FHCS M10 × 65 |
| 11 | 5232136 | WLD, LAP BAR LH | 25 | 5232070A | ASM, RTN LH |
| 12 | 5201061 | WASHER | 26 | 5232115 | WLD, CONTROL MT LH |
| 13 | B5783-1030 | HEX HD BOLT M10×30 | | | |
| 14 | 5238083 | SWITCH,EZTR NEU | | | |

MOTION CONTROL ASSEMBLY(LEFT)



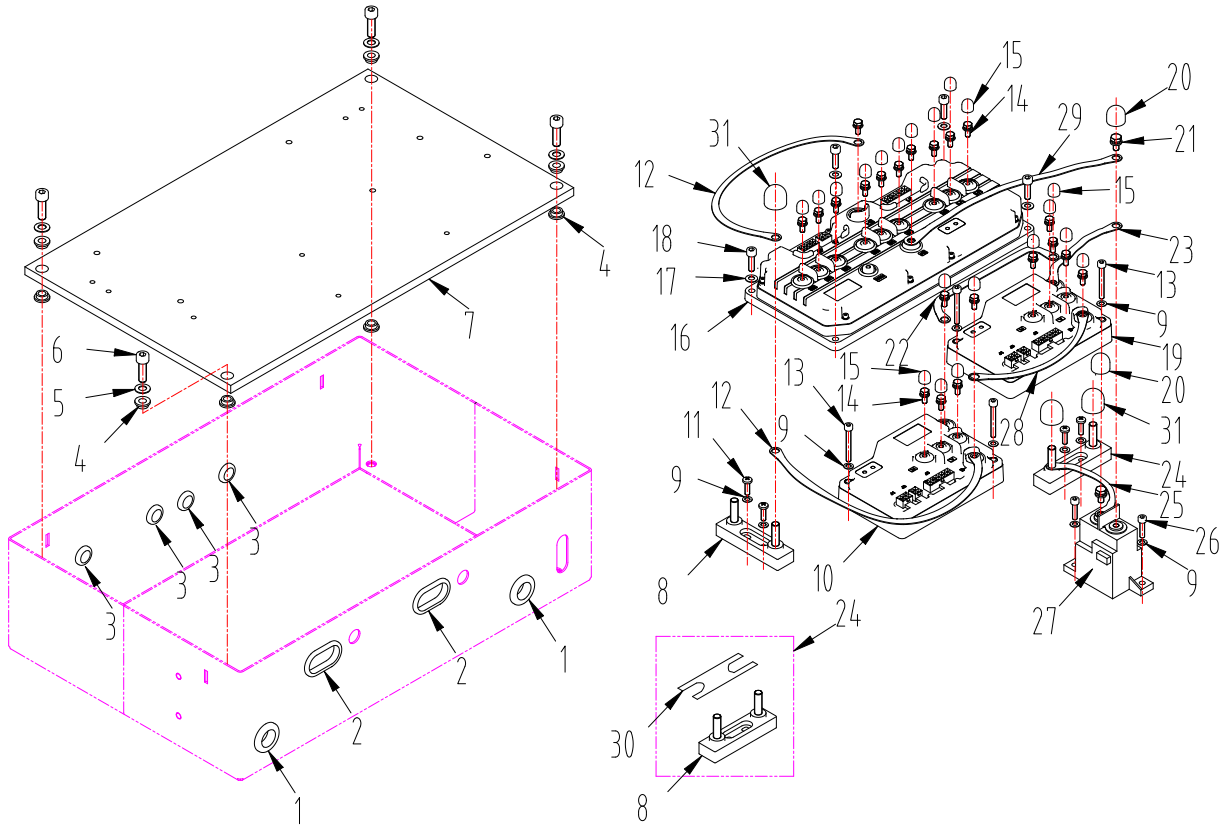
| ITEM | PART NUMBER | DESCRIPTION | ITEM | PART NUMBER | DESCRIPTION |
|------|---------------|-------------------------|------|----------------|---------------------------|
| 1 | B5783-616 | SCREW, HH TAP M6×16 | 15 | 5232069 | SPACER |
| 2 | B93-6 | LOCKWASHER 6 | 16 | 5232071 | PLATE, POT MT |
| 3 | B96-6 | WASHER, FLAT LARGE M6 | 17 | B5787-860 | SCREW, HH FLANGED M8 X 60 |
| 4 | 543154 | BUSHING, MOTION CONTROL | 18 | 5238003 | POTENTIOMETER |
| 5 | B894.1-22 | SNAP RING 22 | 19 | B77-616 | SETSCREW, M6 X 16MM |
| 6 | 5232078 | SHIM | 20 | B6170-6 | NUT M6 |
| 7 | 5232079A | ARM, RTN | 21 | 5232088 | ASM, CONTROL LINK |
| 8 | 5232079 | ARM, RTN | 22 | B6170-8L | NUT M8, LEVO |
| 9 | 5232080 | SPRING, RTN | 23 | B9161-SIBJK8CL | ROD END 8MM LH |
| 10 | B97.1-8 | WASHER 8 | 24 | 5232089 | WLD, CONTROL MT LH |
| 11 | B93-8 | WASHER 8 - LOCKWASHER | 25 | B6170-8 | NUT M8 |
| 12 | B5783-820 | SCREW, HH TAP M8×20 | 26 | 5232075 | WLD, RTN CONTROL LH |
| 13 | B5783-830 | SCREW, HH TAP M8×30 | 27 | 5232072A | WLD, RTN PIVOT LH |
| 14 | B9161-SIBJK8C | ROD END 8M RH | 28 | B6183.1-8 | NUT, FLANGED NYLOC M8 |

BATTERY COVER ASSEMBLY



| ITEM | PART NUMBER | DESCRIPTION |
|------|-------------|-------------------------------------|
| 1 | B5783-820 | SCREW, HH TAP M8×20 |
| 2 | B93-8 | WASHER 8 - LOCKWASHER |
| 3 | B97.1-8 | WASHER 8 |
| 4 | 5232290 | WLD, REAR FRAME |
| 5 | B818-816 | SCREW, PAN HEAD PHILLIPS M8 X 16 |
| 6 | 5232279 | PANEL, MID ACCESS |
| 7 | 5232295 | MAT, REAR RUBBER |
| 8 | 5232296 | BUSHING |
| 9 | B96-6 | WASHER, FLAT LARGE M6 |
| 10 | B93-6 | LOCKWASHER 6 |
| 11 | B818-620 | SCREW, PAN HEAD PHILLIPS M6 X 20 |

ELECTRICAL BOX ASSEMBLY

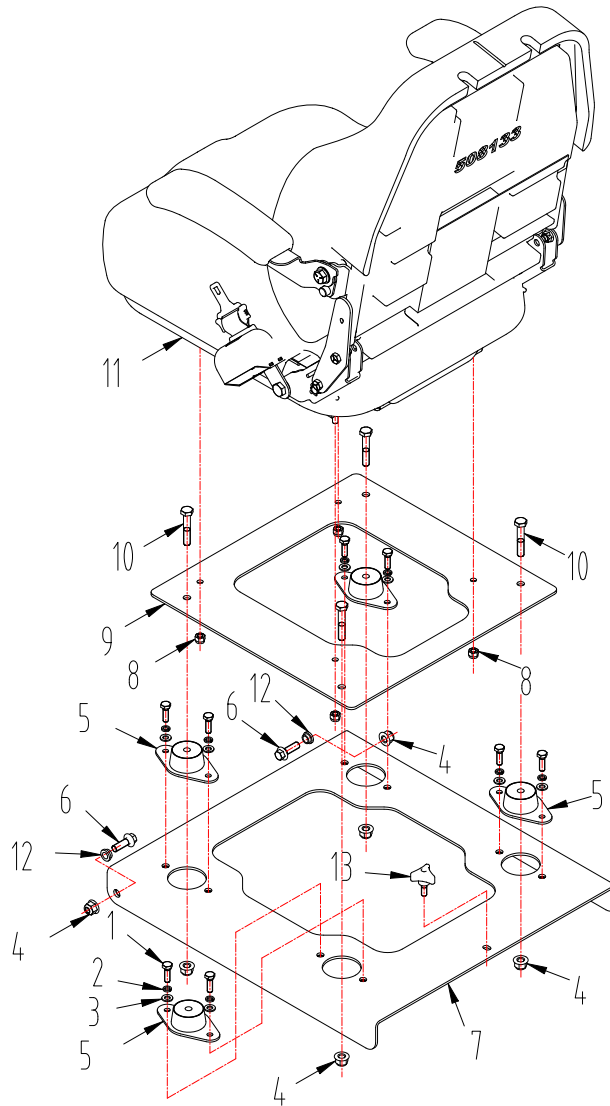


| ITEM | PART NUMBER | DESCRIPTION |
|------|---------------|---------------------------|
| 1 | 5238066 | GROMMET, 20mm |
| 2 | 5238067 | GROMMET, 22mm x 44mm |
| 3 | 5238065 | GROMMET, 14mm |
| 4 | 5238063 | SPACER (MFM-0812-6) |
| 5 | B1972-A16 | WASHER, SPRING DISC A16-1 |
| 6 | B70-825 | SCREW M8x25 |
| 7 | 5238015 | PLATE, AL ECM BASE |
| 8 | 5238062 | MT, FUSE |
| 9 | B1972-A10 | SPRING WASHER A10 |
| 10 | 5238002A | ECM, WHEEL MOTOR |
| 11 | B818-516 | SCREW, MACHINE M5 x 16MM |
| 12 | 5238050 | CABLE, #6 X 280MM NEG |
| 13 | B70.1-535 | M5 X 35MM SHCS |
| 14 | B9074.13-512 | ASM, M5 X 12 SCW/WASHER |
| 15 | 5238020 | CAP, M5 SCREW |
| 16 | 5238001A | ECM, BLADE MTR (3) |
| 17 | B1972-A12.5-1 | SPRING WASHER A12.5 |
| 18 | B70.1-620 | M6 X 20MM SHCS |



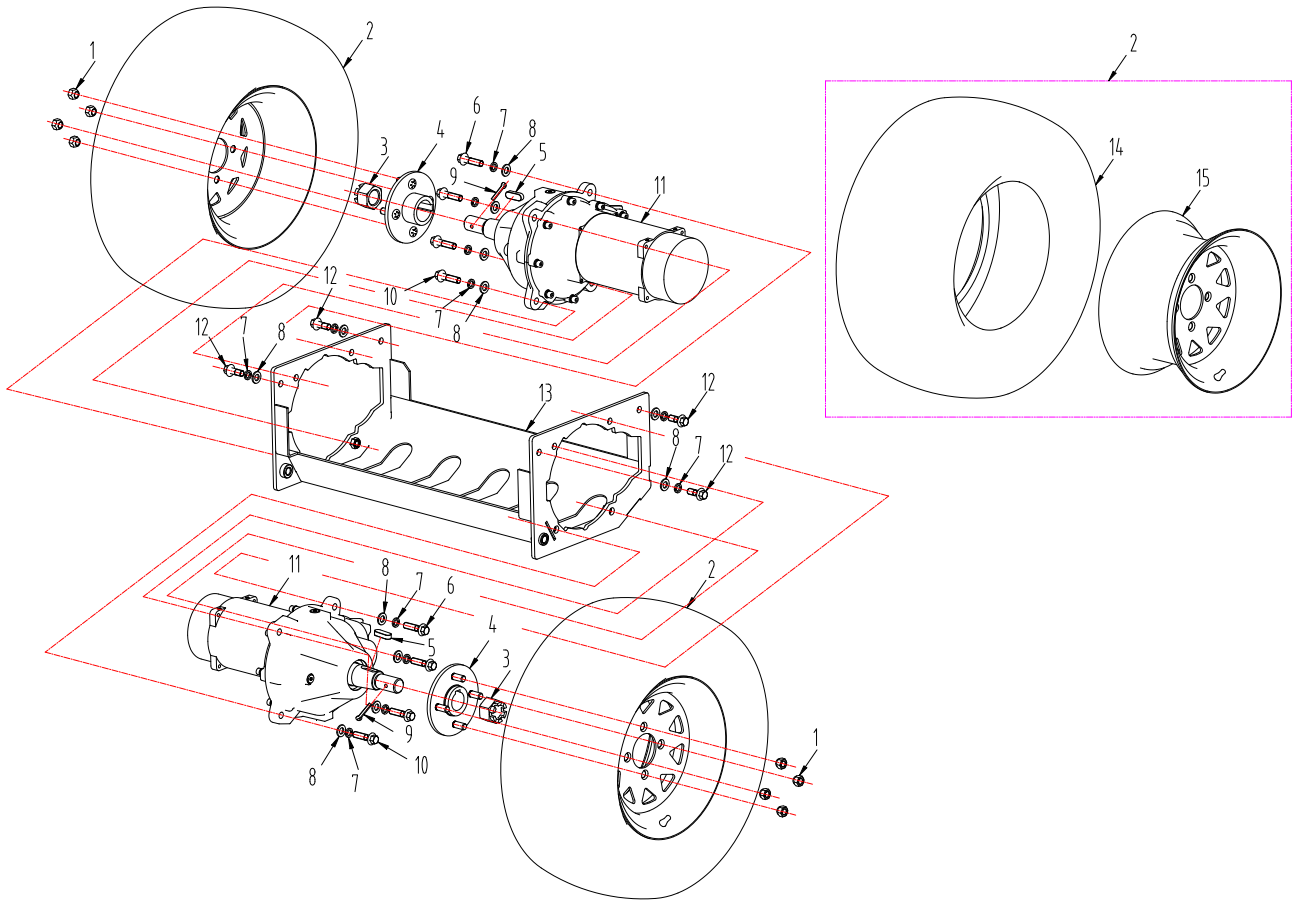
| | | |
|----|--------------|-------------------------|
| 19 | 5238006 | ECM, RH WHEEL MOTOR |
| 20 | 5238021 | CAP, M6 NUT |
| 21 | B9074.13-612 | ASM, M6 x 12 SCW/WASHER |
| 22 | 5238049 | CABLE, #6 X 220MM POS |
| 23 | 5238046 | CABLE, #6 X 170MM POS |
| 24 | 5238060 | FUSE, MAIN |
| 25 | 5238044 | CABLE, #4 X 160MM POS |
| 26 | B70.1-516 | M5 X 16MM SHCS |
| 27 | 5238038A | RELAY, MAIN CNTRL |
| 28 | 5238041 | CABLE, #6 X 220MM NEG |
| 29 | 5238052 | CABLE, #6 X 270MM POS |
| 30 | 5238061 | FUSE 250 AMP |
| 31 | 5238022 | CAP, BOLT |

SEAT ASSEMBLY



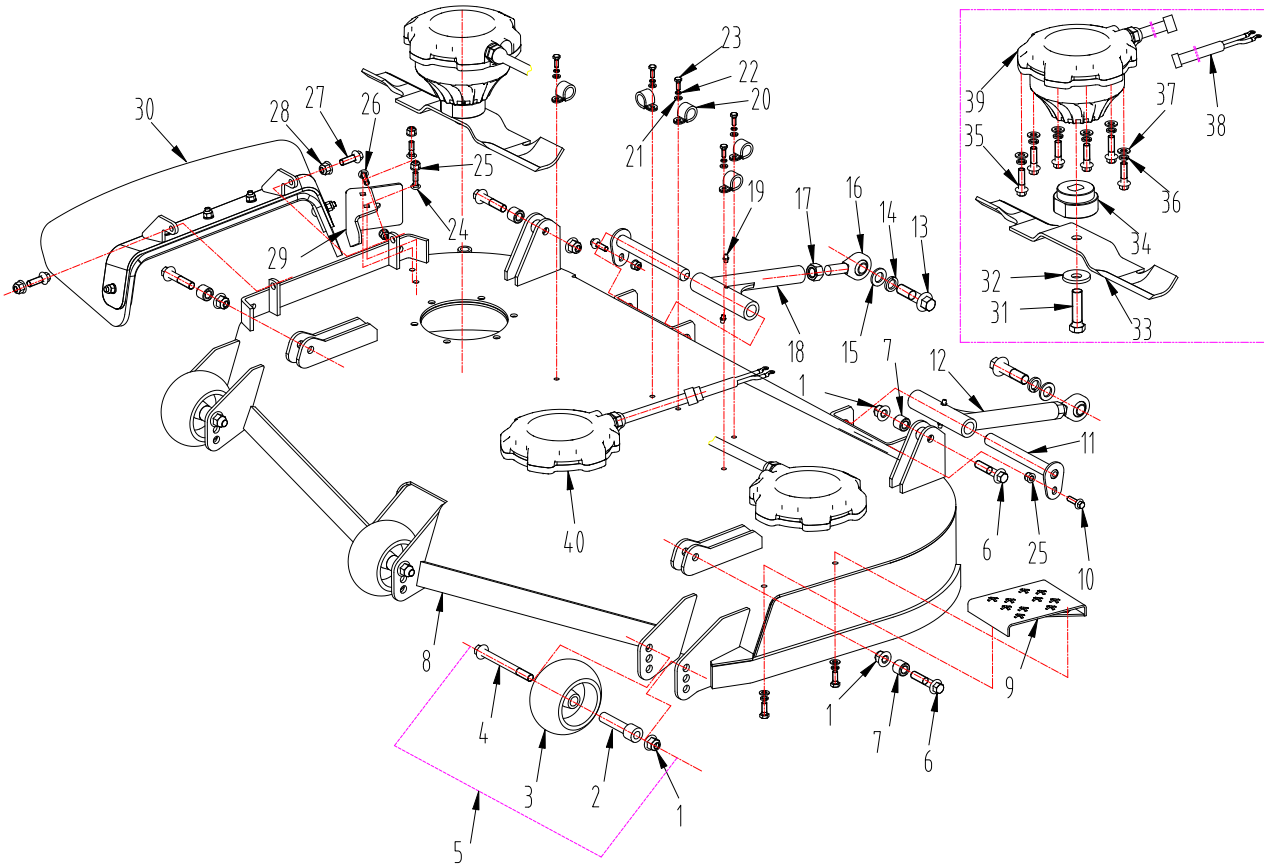
| ITEM | PART NUMBER | DESCRIPTION | ITEM | PART NUMBER | DESCRIPTION |
|------|-------------|-------------------------|------|-------------|---------------------------|
| 1 | B5783-825 | HEX HD BOLT M8×25 | 8 | 3300119 | R/B 104256 NUT 5/16-18 NC |
| 2 | B93-8 | WASHER 8 - LOCKWASHER | 9 | 5232051 | SEAT MOUNTING PLATE |
| 3 | B97.1-8 | WASHER 8 | 10 | B5782-1055 | SCREW, HH M10×55 |
| 4 | B6183-10 | NUT, NYLOC FLANGE M10 | 11 | 683348 | SEAT, FULL SUSP |
| 5 | 543181 | ISO- MOUNT, SEAT | 12 | 5232054 | BUSHING |
| 6 | B5787-1030 | SCREW, HH FLANGE M10×30 | 13 | 633239 | KNOB, LONG 3 PRONG |
| 7 | 5232053 | WLD, SEAT PAN | | | |

DRIVE ASSEMBLY



| ITEM | PART NUMBER | DESCRIPTION | ITEM | PART NUMBER | DESCRIPTION |
|------|---------------|-------------------|------|-------------|--------------------------|
| 1 | 103023 | LUG NUT 1/2-20UNF | 9 | B91-6.350 | COTTER PIN 6.3x50 |
| 2 | 5230005 | ASM, DR WHEEL | 10 | B5787-1245 | SCREW, HH FLANGED M12x45 |
| 3 | B9458-30 | NUT, M30 CASTLE | 11 | 5232200A | MOTOR, EV WHEEL DR |
| 4 | 5232222 | HUB, WHEEL | 12 | B5787-1230 | SCREW, HH FLANGED M12x30 |
| 5 | B1096-1440 | KEY, 14 X 40 SQ | 13 | 5232030 | WLD, WHEEL MTR MT |
| 6 | B16674.1-1250 | FHCS M12 X 50 | 14 | 5230006 | TIRE, 24x9.5x12 TURF |
| 7 | B93-12 | LOCKWASHER M12 | 15 | 5230007 | RIM, 12 x 8.00 BLACK |
| 8 | B97.1-12 | WASHER 12 | | | |

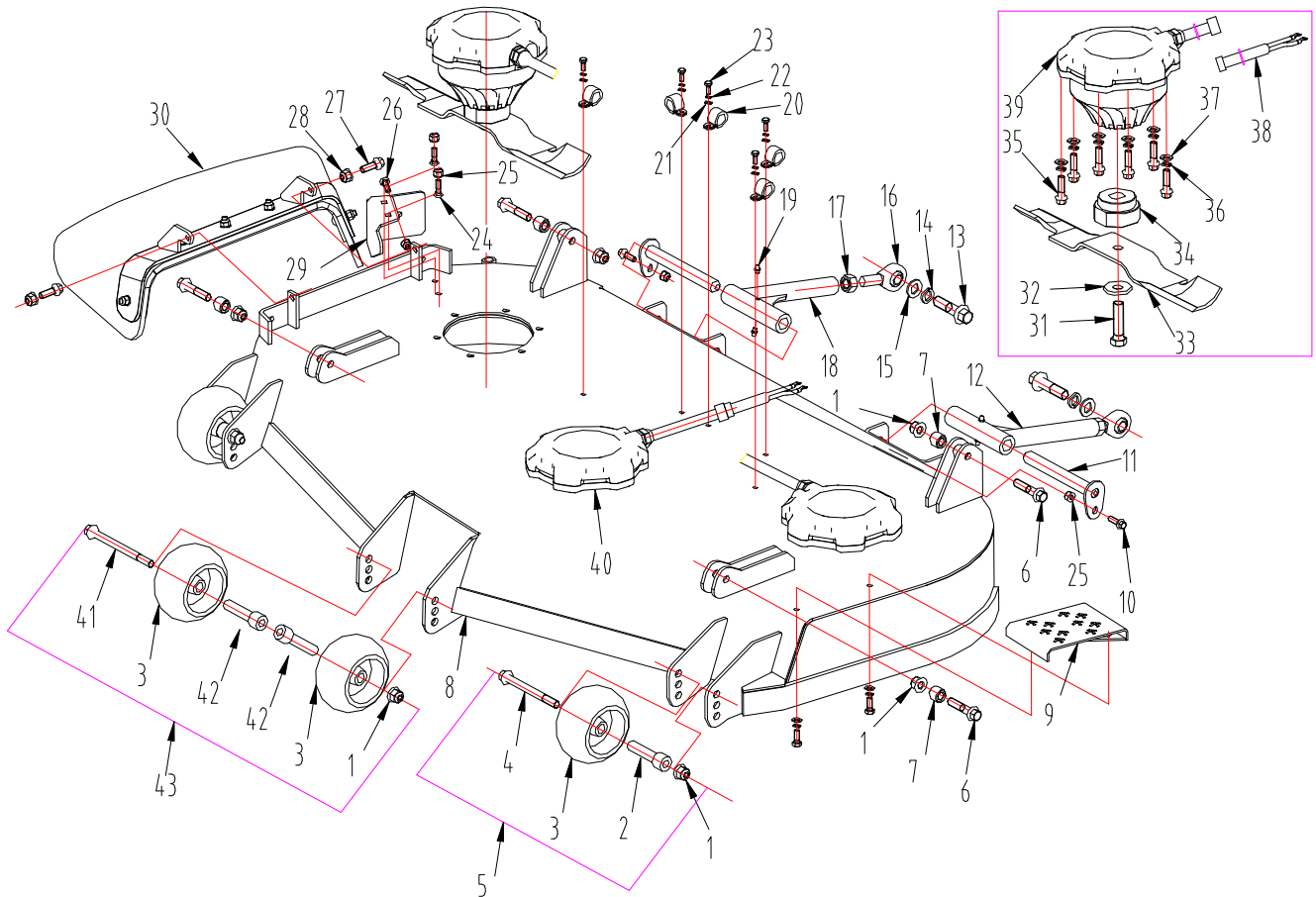
DECK ASSEMBLY(52")



| ITEM | PART NUMBER | DESCRIPTION |
|------|----------------|----------------------------|
| 1 | B6183-12 | NUT, NYLOC FLANGE M12 |
| 2 | 5231031 | AXLE, ANTI-SCALP RLR |
| 3 | 5201081 | ANTI-SCALP ROLLER |
| 4 | B5787-12120 | SCREW, HH FLANGE M12 X 120 |
| 5 | 5231030 | ASM, ANTI-SCALP ROLLER |
| 6 | B5787-1255 | SCREW, HH FLANGED M12 X 55 |
| 7 | 5231012 | BUSHING |
| 8 | 5231051 | WLD, 52 EV DECK |
| 9 | 542195-2 | WLD, ANTI-SKID PAN, RED |
| 10 | B5787-825 | SCREW, HH FLANGE M8x25 |
| 11 | 5201055 | AXLE PIN WELDMENT |
| 12 | 5231015 | ASM, DECK STRUT |
| 13 | B5787-1260 | SCREW, HH FLANGE M12 X 60 |
| 14 | B93-16 | WASHER, 16MM LOCK |
| 15 | B97.1-16 | WASHER 16 |
| 16 | B9161-SABJK16C | ROD END 16M RH |
| 17 | B6170-16 | NUT M16 |
| 18 | 5231016 | WLD, DECK STRUT |

| | | |
|----|--------------|------------------------------|
| 19 | B1153-6 | GREASE FITTING M6 |
| 20 | 5238051 | CLAMP, 18MM CABLE |
| 21 | B97.1-6 | WASHER 6 |
| 22 | B93-6 | LOCKWASHER 6 |
| 23 | B5783-616 | SCREW, HH TAP M6×16 |
| 24 | B801-825 | BOLT, CARRIAGE SN M8X25 |
| 25 | B6183.1-8 | FLANGED LOCKNUT M8 |
| 26 | B801-830 | CARRIAGE BOLT M8X30 |
| 27 | B5787-1030 | SCREW, HH FLANGE M10x30 |
| 28 | B6183-10 | NUT, NYLOC FLANGE M10 |
| 29 | 543213-2 | BAFFLE, DOGLEG 52, RED |
| 30 | 6001050A | ASM, DISCHARGE CHUTE 52/60 |
| 31 | B5785-161560 | BOLT M16×1.5×60 GRADE 10.9 |
| 32 | 5201042 | WASHER(1) |
| 33 | 3602005U | BLADE |
| 34 | 5231061 | ADPT, BLADE |
| 35 | B5787-1035 | HEX FLANGE HD BOLT M10x35 |
| 36 | B93-10 | SPLIT LOCK WASHER M10 |
| 37 | B97.1-10 | WASHER, FLAT M10 |
| 38 | 5231026 | CONNECTING WIRE, BLADE MOTOR |
| 39 | 5231025 | MAIN BLADE MOTOR |
| 40 | 5231020A | MOTOR, EV BLADE |

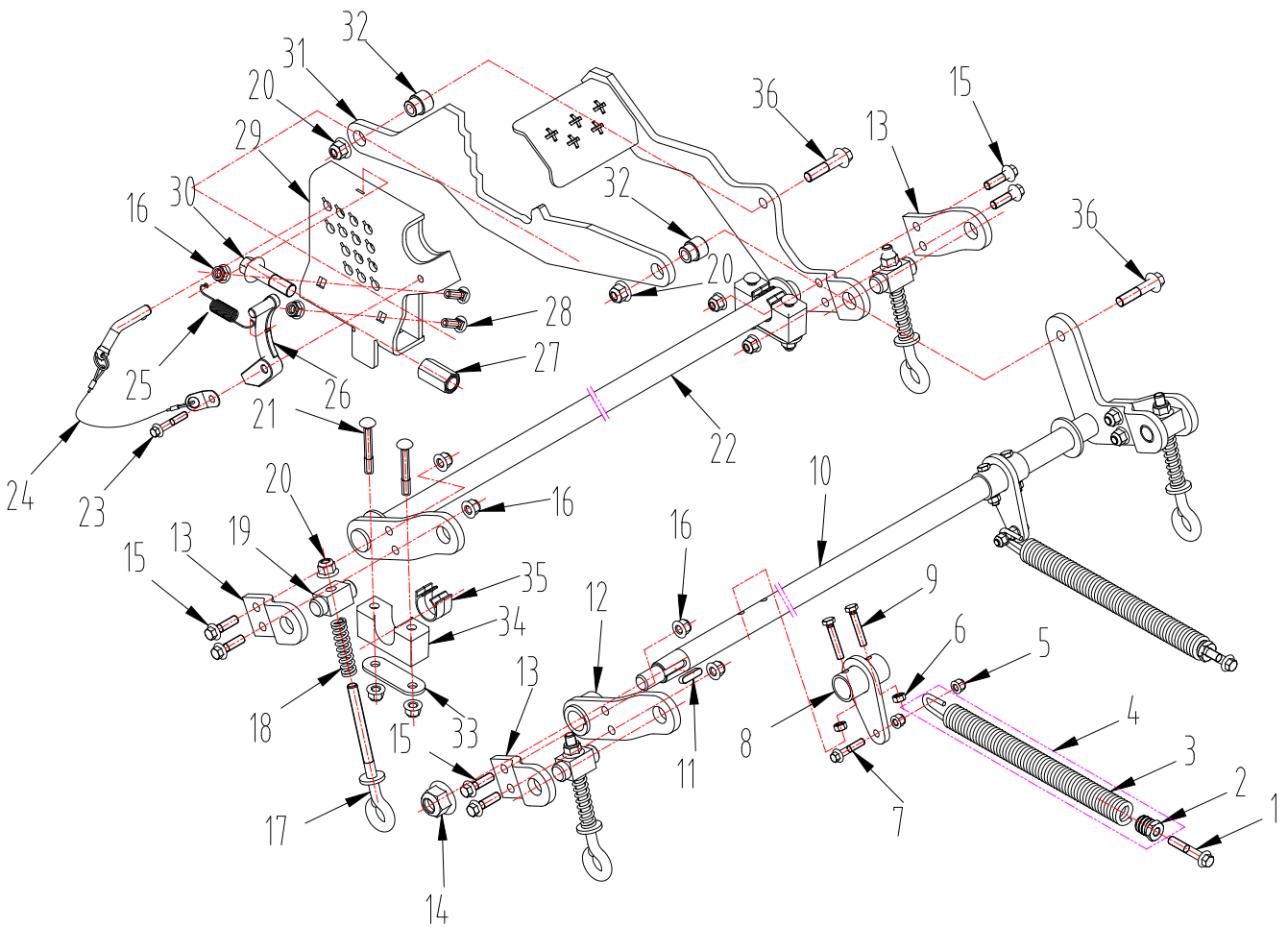
DECK ASSEMBLY(60")



| ITEM | PART NUMBER | DESCRIPTION |
|------|-------------|----------------------------|
| 1 | B6183-12 | NUT, NYLOC FLANGE M12 |
| 2 | 5231031 | AXLE, ANTI-SCALP RLR |
| 3 | 5201081 | ANTI-SCALP ROLLER |
| 4 | B5787-12120 | SCREW, HH FLANGE M12 X 120 |
| 5 | 5231030 | ASM, ANTI-SCALP ROLLER |
| 6 | B5787-1255 | SCREW, HH FLANGED M12 X 55 |
| 7 | 5231012 | BUSHING |
| 8 | 6031001 | WLD, 60 EV DECK |
| 9 | 542195-2 | WLD, ANTI-SKID PAN, RED |
| 10 | B5787-825 | SCREW, HH FLANGE M8x25 |
| 11 | 5201055 | AXLE PIN WELDMENT |
| 12 | 5231015 | ASM, DECK STRUT |

| | | |
|----|----------------|------------------------------|
| 13 | B5787-1260 | SCREW, HH FLANGE M12 X 60 |
| 14 | B93-16 | WASHER, 16MM LOCK |
| 15 | B97.1-16 | WASHER 16 |
| 16 | B9161-SABJK16C | ROD END 16M RH |
| 17 | B6170-16 | NUT M16 |
| 18 | 5231016 | WLD, DECK STRUT |
| 19 | B1153-6 | GREASE FITTING M6 |
| 20 | 5238051 | CLAMP, 18MM CABLE |
| 21 | B97.1-6 | WASHER 6 |
| 22 | B93-6 | LOCKWASHER 6 |
| 23 | B5783-616 | SCREW, HH TAP M6×16 |
| 24 | B801-825 | BOLT, CARRIAGE SN M8X25 |
| 25 | B6183.1-8 | FLANGED LOCKNUT M8 |
| 26 | B801-830 | CARRIAGE BOLT M8X30 |
| 27 | B5787-1030 | SCREW, HH FLANGE M10x30 |
| 28 | B6183-10 | NUT, NYLOC FLANGE M10 |
| 29 | 543213-2 | BAFFLE, DOGLEG 52, RED |
| 30 | 6001050A | ASM, DISCHARGE CHUTE 52/60 |
| 31 | B5785-161560 | BOLT M16×1.5×60 GRADE 10.9 |
| 32 | 5201042 | WASHER(1) |
| 33 | 6001004U | BLADE |
| 34 | 5231061 | ADPT, BLADE |
| 35 | B5787-1035 | HEX FLANGE HD BOLT M10x35 |
| 36 | B93-10 | SPLIT LOCK WASHER M10 |
| 37 | B97.1-10 | WASHER, FLAT M10 |
| 38 | 5231026 | CONNECTING WIRE, BLADE MOTOR |
| 39 | 5231025 | MAIN BLADE MOTOR |
| 40 | 5231020A | MOTOR, EV BLADE |
| 41 | 6031005 | BOLT |
| 42 | 6031004 | ROLLER BUSHING |
| 43 | 6031003 | ROLLER ASM |

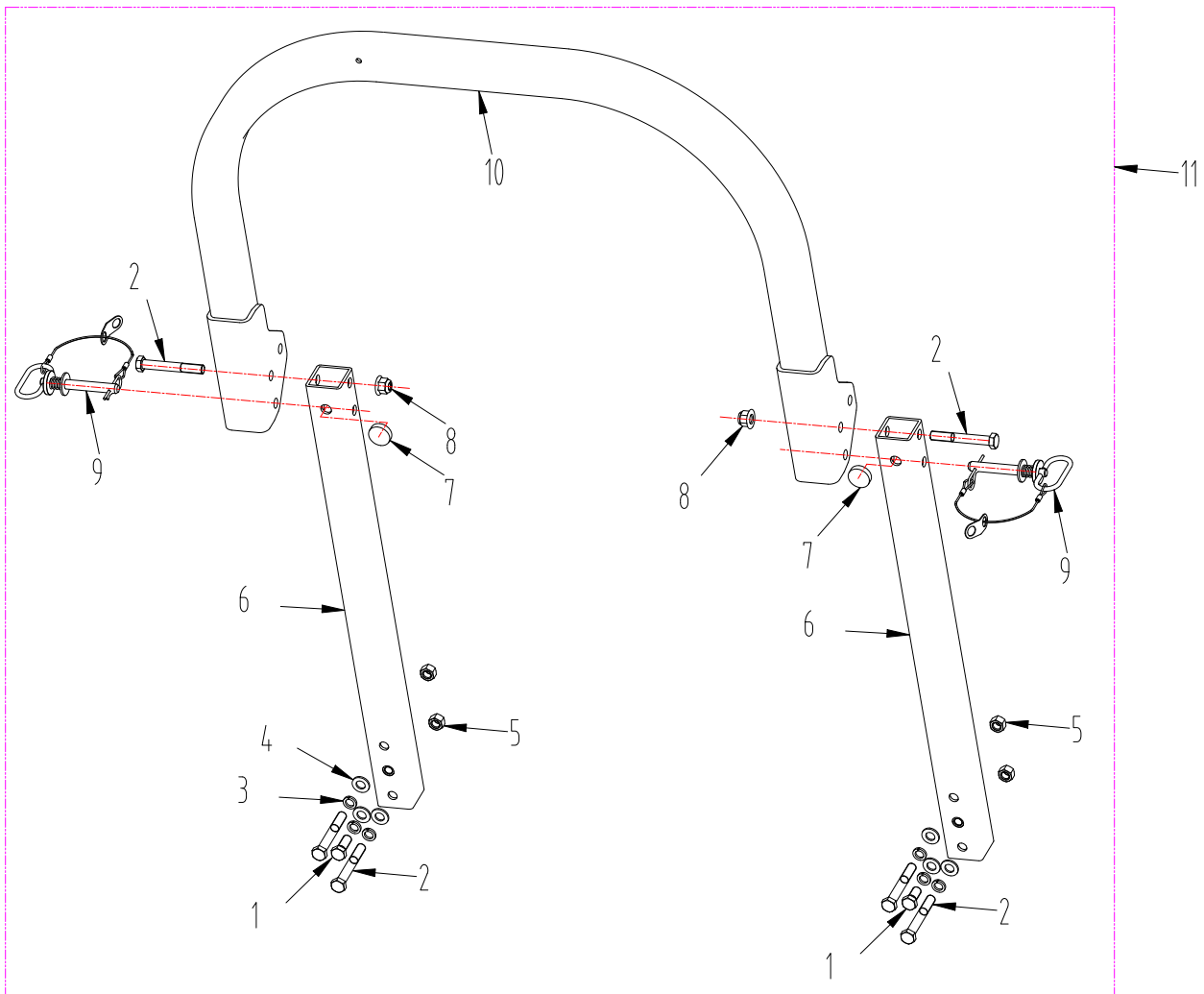
DECK LIFT ASSEMBLY



| ITEM | PART NUMBER | DESCRIPTION |
|------|-------------|-------------------------------|
| 1 | B5787-1055 | BOLT M10 X 55 |
| 2 | 5233037 | M10 INTERNAL, THD SPRING BOLT |
| 3 | 5233036 | SPRING, 24MM MD X 336MM |
| 4 | 5233035 | SPRING, EXTENSION |
| 5 | B6183.1-8 | FLANGED LOCKNUT M8 |
| 6 | B6184-8 | LOCKNUT M8 |
| 7 | B5783-840 | SCREW, HH TAP M8×40 |
| 8 | 5233011 | WLD, SPRING ARM |
| 9 | B5783-845 | BOLT M8×45 |
| 10 | 5233002 | WLD, REAR LIFT SHAFT |
| 11 | B1096-832 | KEY 8 × 32 |
| 12 | 5233006 | WLD, REAR LIFT ARM |
| 13 | 5233008 | CLAMP, TRUNNION |
| 14 | B6183-20 | NUT, FLANGED NYLOC M20 |
| 15 | B5787-1035 | HEX FLANGE HD BOLT M10×35 |

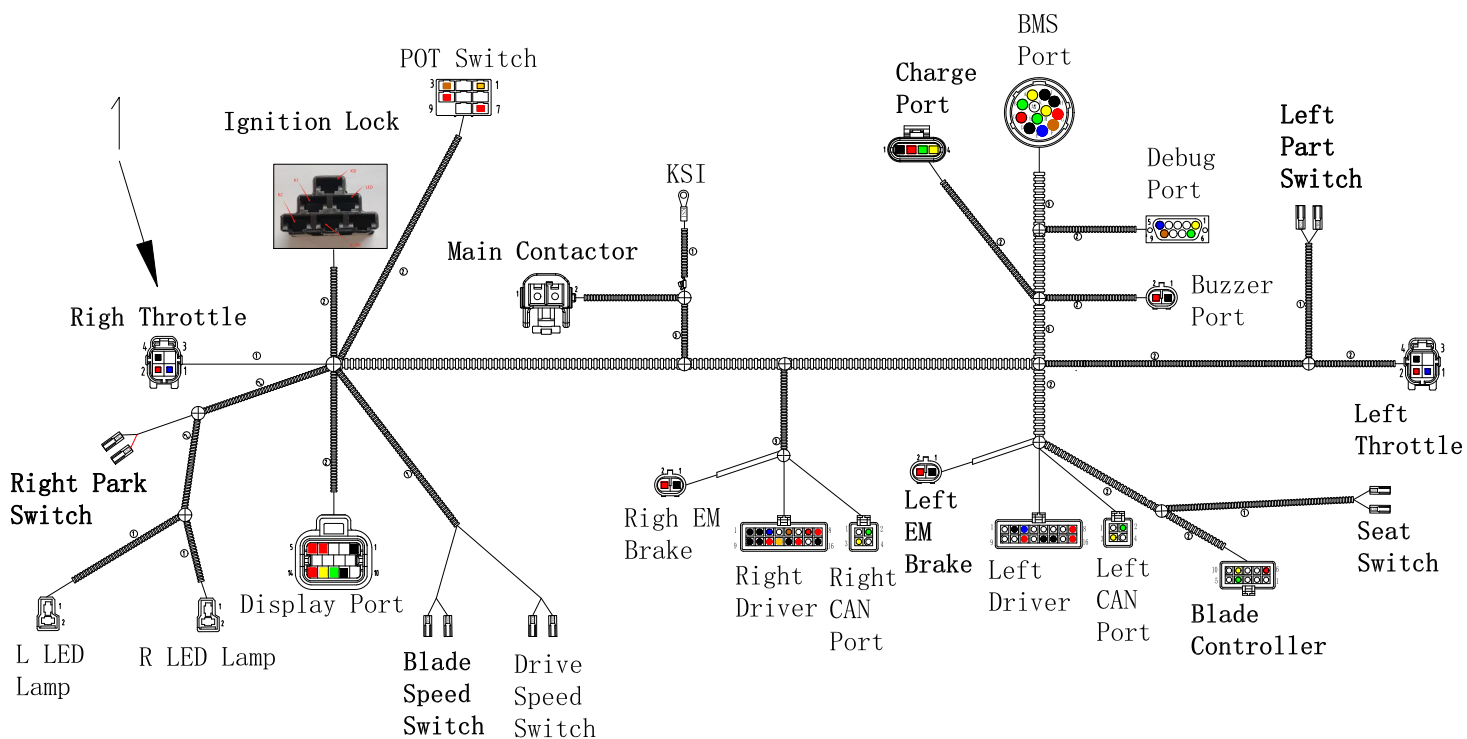
| | | |
|----|------------|----------------------------|
| 16 | B6183-10 | NUT, NYLOC FLANGE M10 |
| 17 | 5233016 | EYE BOLT, DECK LIFT |
| 18 | 5233018 | SPRING, DECK ROD |
| 19 | 5233009 | BLOCK, TRUNNIION |
| 20 | B6183-12 | NUT, NYLOC FLANGE M12 |
| 21 | B801-1070 | BOLT, CARRIAGE SN M10 X 70 |
| 22 | 5233021 | WLD, FRONT LIFT SHAFT |
| 23 | B5783-845 | BOLT M8×45 |
| 24 | 542193 | ASM, HEIGHT PIN |
| 25 | 543302 | SPRING, EXTENSION |
| 26 | 543138 | PAWL, TRANSPORT |
| 27 | 543445 | NUT, LONG 16MM |
| 28 | B801-1030 | BOLT, CARRIAGE SN M10×30 |
| 29 | 5233031 | WLD, HOC BRKT |
| 30 | B5787-1260 | SCREW, HH FLANGE M12 X 60 |
| 31 | 5233025 | ARM, HOC LINK |
| 32 | 5233026 | BUSHING, HOC ARM |
| 33 | 5233014 | STRAP, BRNG MT |
| 34 | 543124A | MOUNT, AL LIFT SHAFT |
| 35 | 543123 | BUSHING, CROSS SHAFT |
| 36 | B5787-1255 | SCREW, HH FLANGED M12 X 55 |

ROPS ASSEMBLY



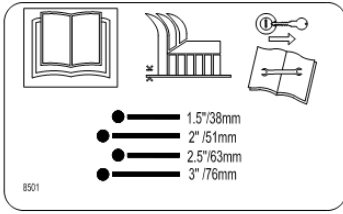
| ITEM | PART NUMBER | DESCRIPTION |
|------|-------------|-----------------------|
| 1 | B5783-1230 | BOLT M12×30 |
| 2 | B5782-1285 | SCREW, HH M12×85 |
| 3 | B93-12 | LOCKWASHER M12 |
| 4 | B97.1-12 | WASHER 12 |
| 5 | B6184-12 | NUT M12 |
| 6 | 5230031 | TUBE, ROPS VERT |
| 7 | 633422 | BUMPER, RUBBER |
| 8 | B6183-12 | NUT, NYLOC FLANGE M12 |
| 9 | 543262A | PIN, ROPS W/LANYARD |
| 10 | 632073 | ROPS UPPER |
| 11 | 5230030 | ROPS, COMPLETE |

WIRING DIAGRAM



| ITEM | PART NUMBER | DESCRIPTION |
|------|-------------|-----------------|
| 1 | 5238040A | HARNES, EV MAIN |

DECALS - SAFETY & OPERATION



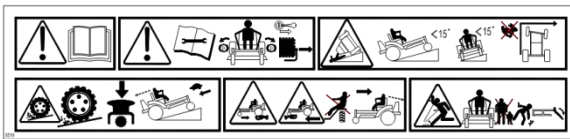
1



2



3



4



5



6



7



8



9

CHARGE



10



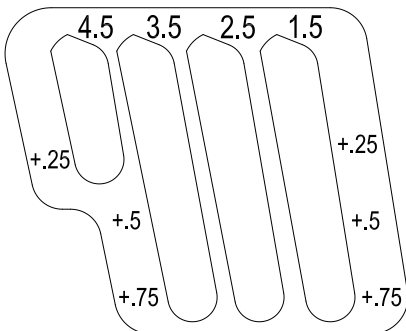
11



12



13



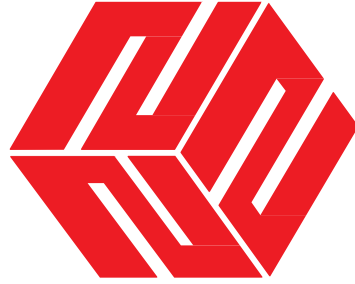
14



15



| ITEM | PART NUMBER | DESCRIPTION |
|-------------|--------------------|--------------------------------------|
| 1 | 363023 | DECAL, INTERNATIONAL LOGO |
| 2 | 8308 | DECAL, SHIELD WARNING - BLADE BOLTS |
| 3 | 8303 | DECAL, CAUTION, DEFLECTOR |
| 4 | 8519 | DECAL, WARNING, DISCHARGE OR CATCHER |
| 5 | 8325E | DECAL, E BLADE |
| 6 | 8101 | DECAL, BATTERY INFO |
| 7 | 8102 | DECAL, WEIGHT LIMIT |
| 8 | 543291 | WORLDLAWN LOGO |
| 9 | 633445 | DECAL, CHARGE PORT |
| 10 | 633446 | DECAL, E52 DECK |
| 11 | 633447 | DECAL, 82 VOLT |
| 12 | 633448 | DECAL, E DB FRONT |
| 13 | 633449 | DECAL, WL 18" ('24) |
| 14 | 8120 | DECAL, DECK HEIGHT |
| 15 | 8121 | DECAL, E60 DECK |



WORLDLAWN[®]
POWER EQUIPMENT