

WORLDLAWN®



PARTS MANUAL

**WYS52FX730V
WYS52FX730VCA**

FOR SERIAL NUMBERS 201312U00681 AND ABOVE



WORLDLAWN POWER EQUIPMENT, INC.

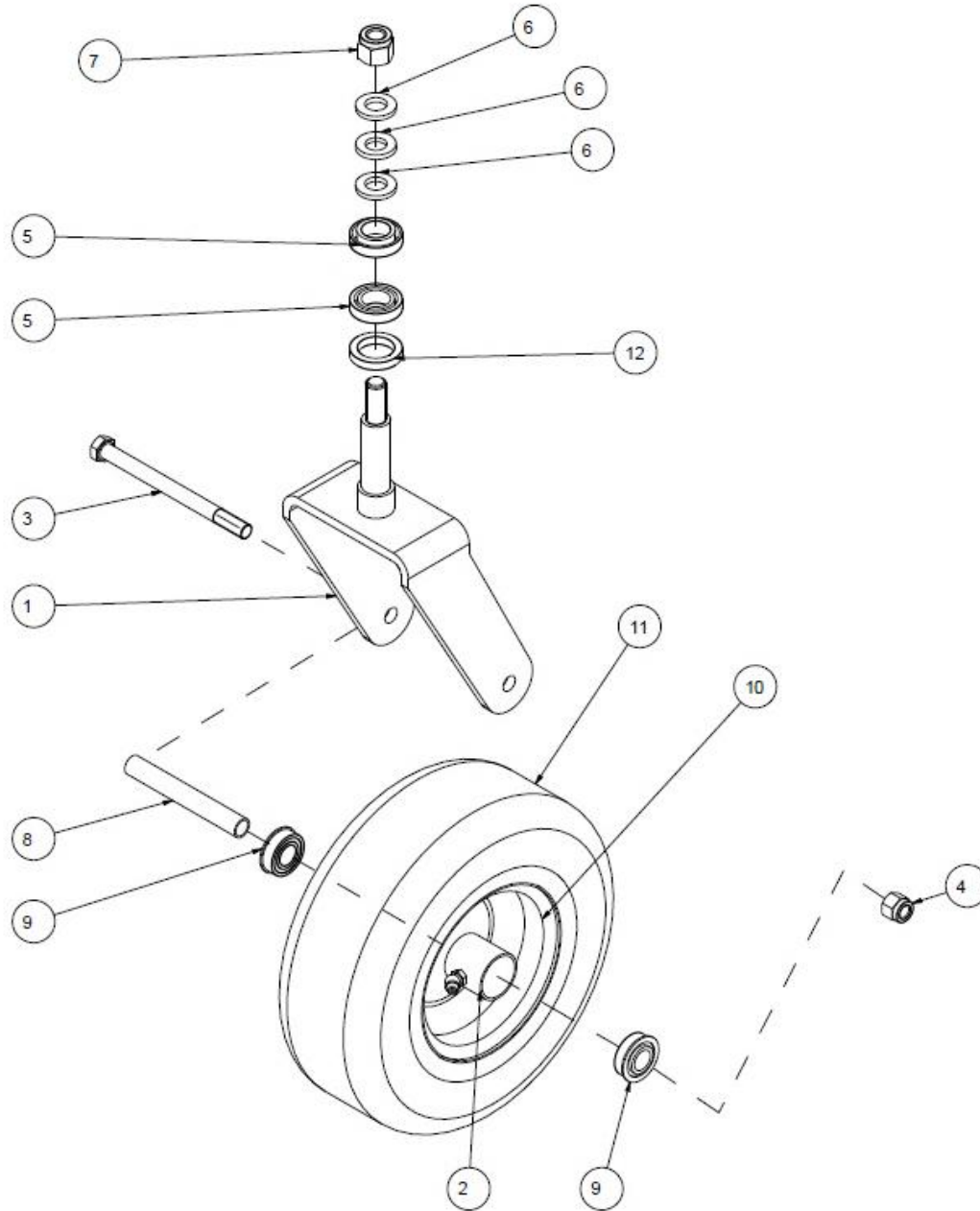
WORLDLAWNPOWEREQUIPMENT.COM

**2415 ASHLAND AVE
BEATRICE, NE 68310
800-267-4255
FAX – 402-223-4103**

Contents

| | |
|---------------------------------|----|
| CASTER ASSEMBLY | 6 |
| FRONT FRAME..... | 8 |
| CONTROL ASSEMBLY LH..... | 10 |
| CONTROL ASSEMBLY RH | 11 |
| UPPER HANDLE ASSEMBLY..... | 12 |
| UPPER FRAME GROUP..... | 14 |
| BRAKE ROD ASSEMBLY | 16 |
| IDLER PULLEY ASSEMBLY | 17 |
| LOWER POWER UNIT..... | 18 |
| PUMP IDLER ASSEMBLY | 20 |
| FUEL TANK ASSEMBLY..... | 22 |
| CARBON CANISTER ASSEMBLY | 23 |
| 52” DECK ASSEMBLY | 24 |
| LOWER DECK IDLER ASSEMBLY | 26 |
| UPPER DECK IDLER ASSEMBLY..... | 28 |
| SULKY ASSEMBLY..... | 30 |
| ENGINE GROUP..... | 32 |
| HYDRO GROUP..... | 34 |
| BRAKE CLAW ASSEMBLY..... | 36 |
| DECAL GROUP | 37 |

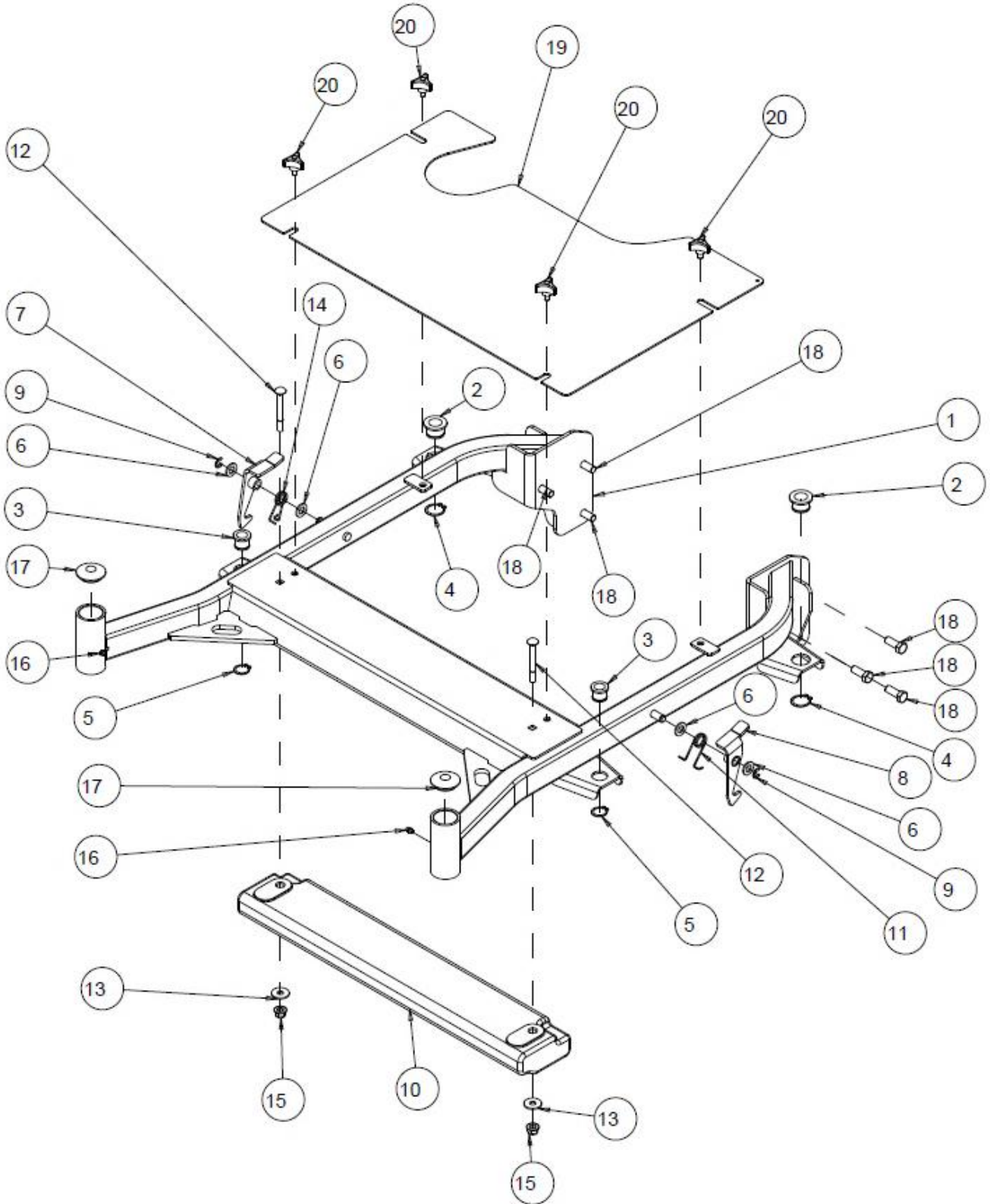
CASTER ASSEMBLY



CASTER ASSEMBLY

| ITEM | PART NO. | DESCRIPTION |
|------|---------------|----------------------------------|
| 1 | 5002095 | CASTER YOKE WELDMENT |
| 2 | 5002100 | CASTER WHEEL COMPLETE W/BEARINGS |
| 3 | B5782-12150 | BOLT M12 X 150 |
| 4 | B6182-12 | LOCKNUT M12 |
| 5 | B297-32922 | BEARING |
| 6 | 5002091 | SPRING WASHER – A40 |
| 7 | B6182-16 | LOCKNUT M16 |
| 8 | 5002092 | CASTER TUBE |
| 9 | 5002103 | CASTER WHEEL BEARING |
| 10 | 5002101 | TIRE |
| 11 | 5002102 | RIM |
| 12 | B9877.1-28407 | SEAL |

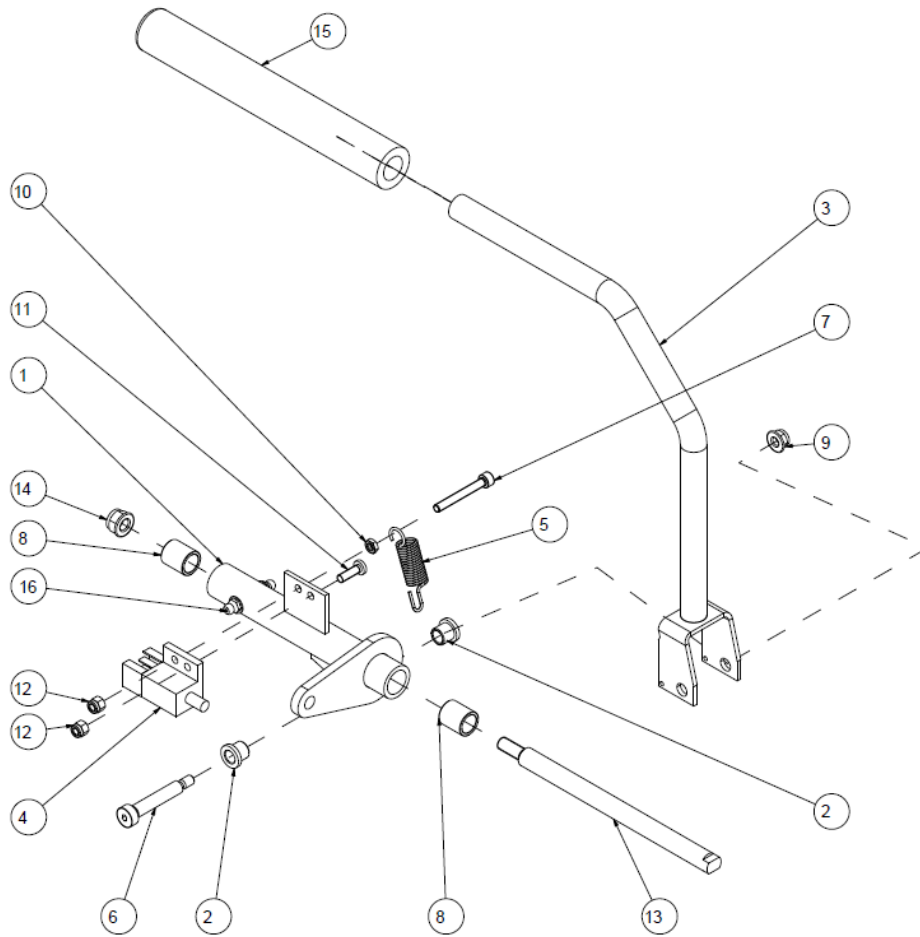
FRONT FRAME



FRONT FRAME

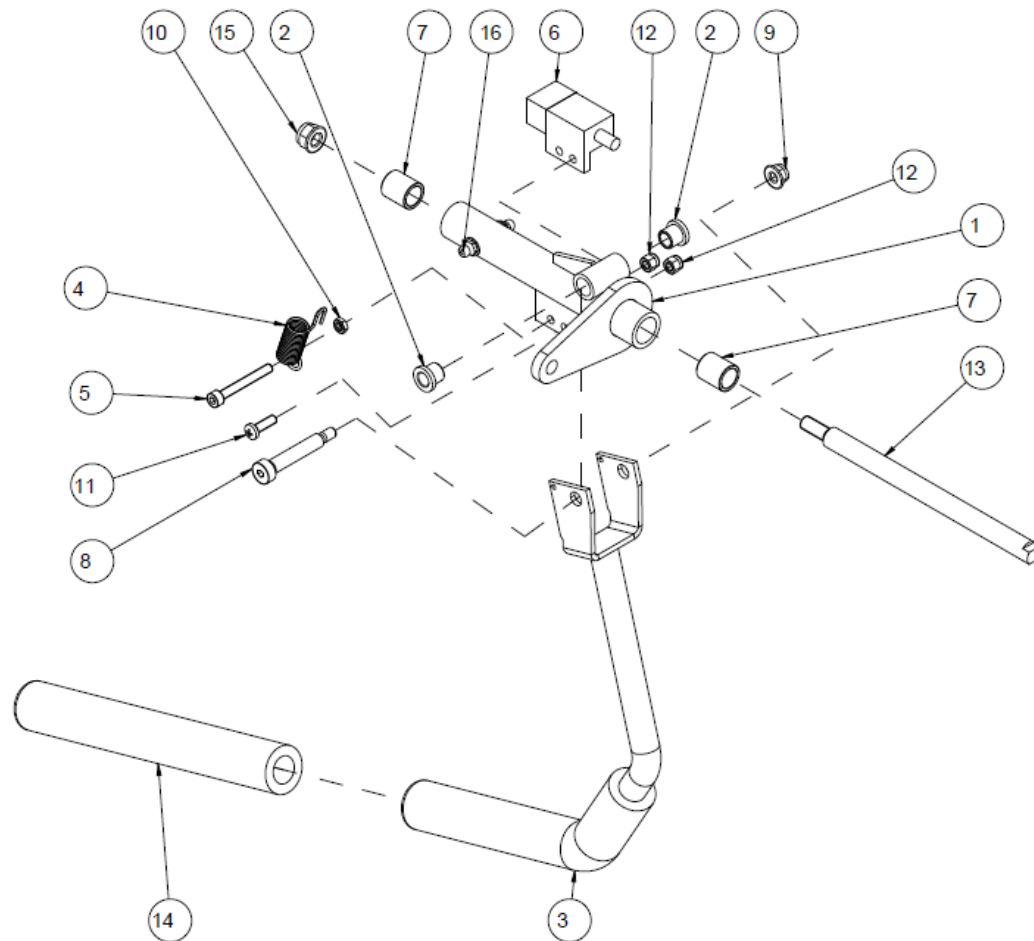
| ITEM | PART NO. | DESCRIPTION |
|------|------------|-------------------------|
| 1 | 452084-2 | FRONT FRAME WELDMENT |
| 2 | 3601016 | REAR BUSHING |
| 3 | 3601015 | FRONT BUSHING |
| 4 | B894.2-30 | SNAP RING |
| 5 | B894.2-24 | SNAP RING |
| 6 | B97.1-12 | WASHER M12 |
| 7 | 452086 | LATCH WELDMENT, RH |
| 8 | 452085 | LATCH WELDMENT, LH |
| 9 | B896-9 | SNAP RING 9 |
| 10 | 453347 | COUNTERWEIGHT |
| 11 | 453352 | SPRING, LH |
| 12 | B801-1080 | CARRIAGE BOLT SN M10X80 |
| 13 | B96-10 | FLAT WASHER M10 |
| 14 | 453353 | SPRING, RH |
| 15 | B6187-10 | LOCKNUT M10 |
| 16 | B1152-8 | GREASE FITTING M8 |
| 17 | 5002020 | DUST CAP |
| 18 | B5783-1225 | SCREW, HH TAP M12 X 25 |
| 19 | 452141 | BELT SHIELD W/DECALS WL |
| 20 | 3302190 | KNOB |

CONTROL ASSEMBLY LH



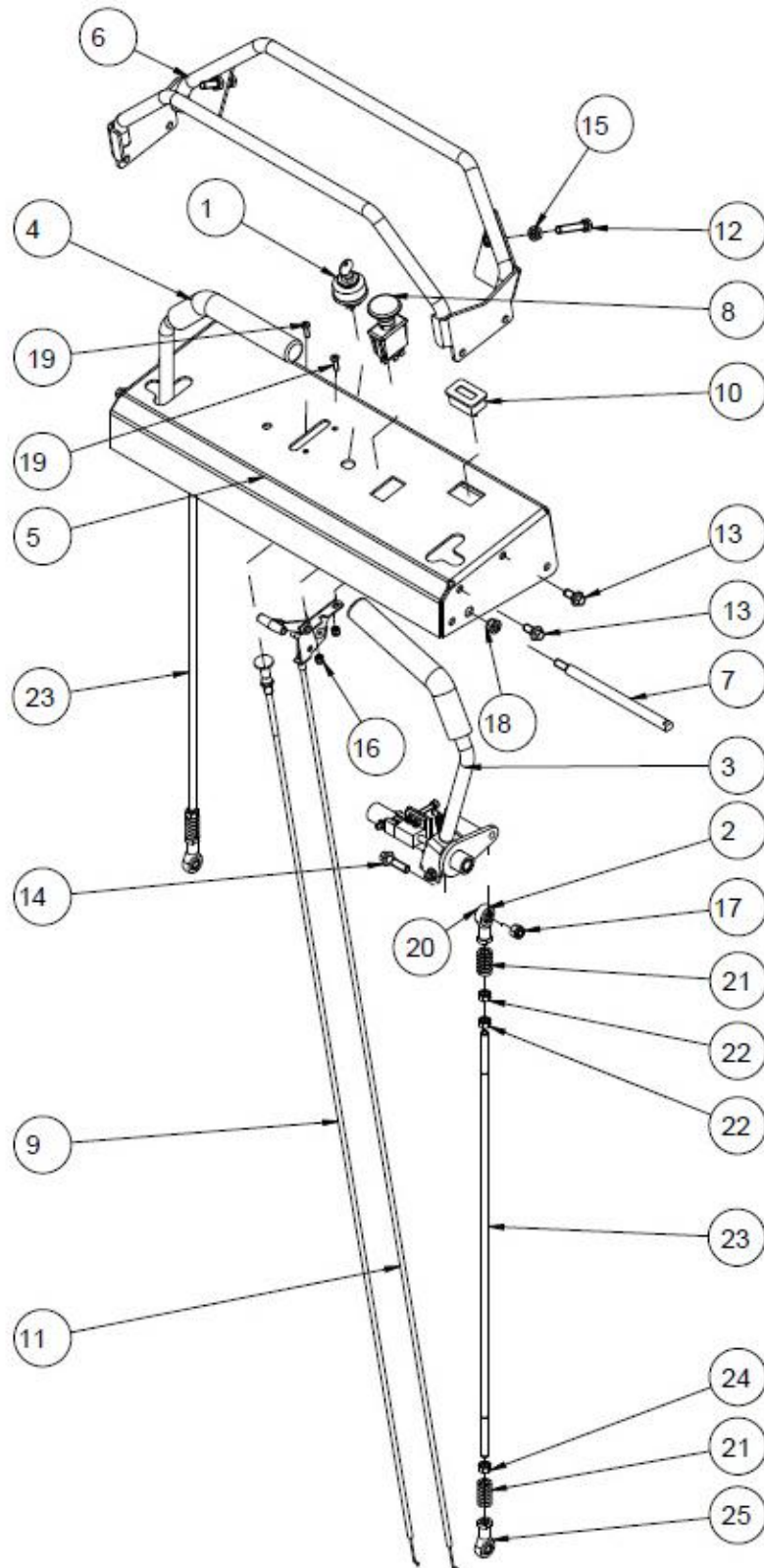
| ITEM | PART NO. | DESCRIPTION |
|------|--------------|----------------------------------|
| 1 | 452080 | CONTROL WELDMENT LH W/ZERK |
| 2 | 2806010 | NYLON BUSHING |
| 3 | 452081 | HANDLE W/GRIP |
| 4 | 453358 | SWITCH, DELTA |
| 5 | 363155 | SPRING |
| 6 | B5281-840 | SHOULDER BOLT |
| 7 | B70-540 | SCREW M5 X 40 |
| 8 | B2685-121618 | OILITE BRONZE BEARING |
| 9 | B6187-6 | LOCKNUT M6 |
| 10 | B6172-5 | NUT, JAM M5 |
| 11 | B823-516 | SCREW, PAN HEAD PHILLIPS M5 X 16 |
| 12 | B6182-5 | NUT, NYLOC M5 |
| 13 | 453237 | PIN, CONTROL PIVOT |
| 14 | B6187-8 | LOCKNUT M8 |
| 15 | 453238 | GRIP, MOTION CONTROL |
| 16 | B1152-6 | ZERK, M6 |

CONTROL ASSEMBLY RH



| ITEM | PART NO. | DESCRIPTION |
|------|--------------|----------------------------------|
| 1 | 452079 | CONTROL WELDMENT RH W/ZERK |
| 2 | 2806010 | NYLON BUSHING |
| 3 | 452081 | HANDLE W/GRIP |
| 4 | 363155 | SPRING |
| 5 | B70-540 | SCREW M5 X 40 |
| 6 | 453358 | SWITCH, DELTA |
| 7 | B2685-121618 | OILITE BRONZE BEARING |
| 8 | B5281-840 | SHOULDER BOLT |
| 9 | B6187-6 | LOCKNUT M6 |
| 10 | B6172-5 | NUT, JAM M5 |
| 11 | B823-516 | SCREW, PAN HEAD PHILLIPS M5 X 16 |
| 12 | B6182-5 | NUT, NYLOC M5 |
| 13 | 453237 | PIN, CONTROL PIVOT |
| 14 | 453238 | GRIP, MOTION CONTROL |
| 15 | B6187-8 | LOCKNUT M8 |
| 16 | B1152-6 | ZERK, M6 |

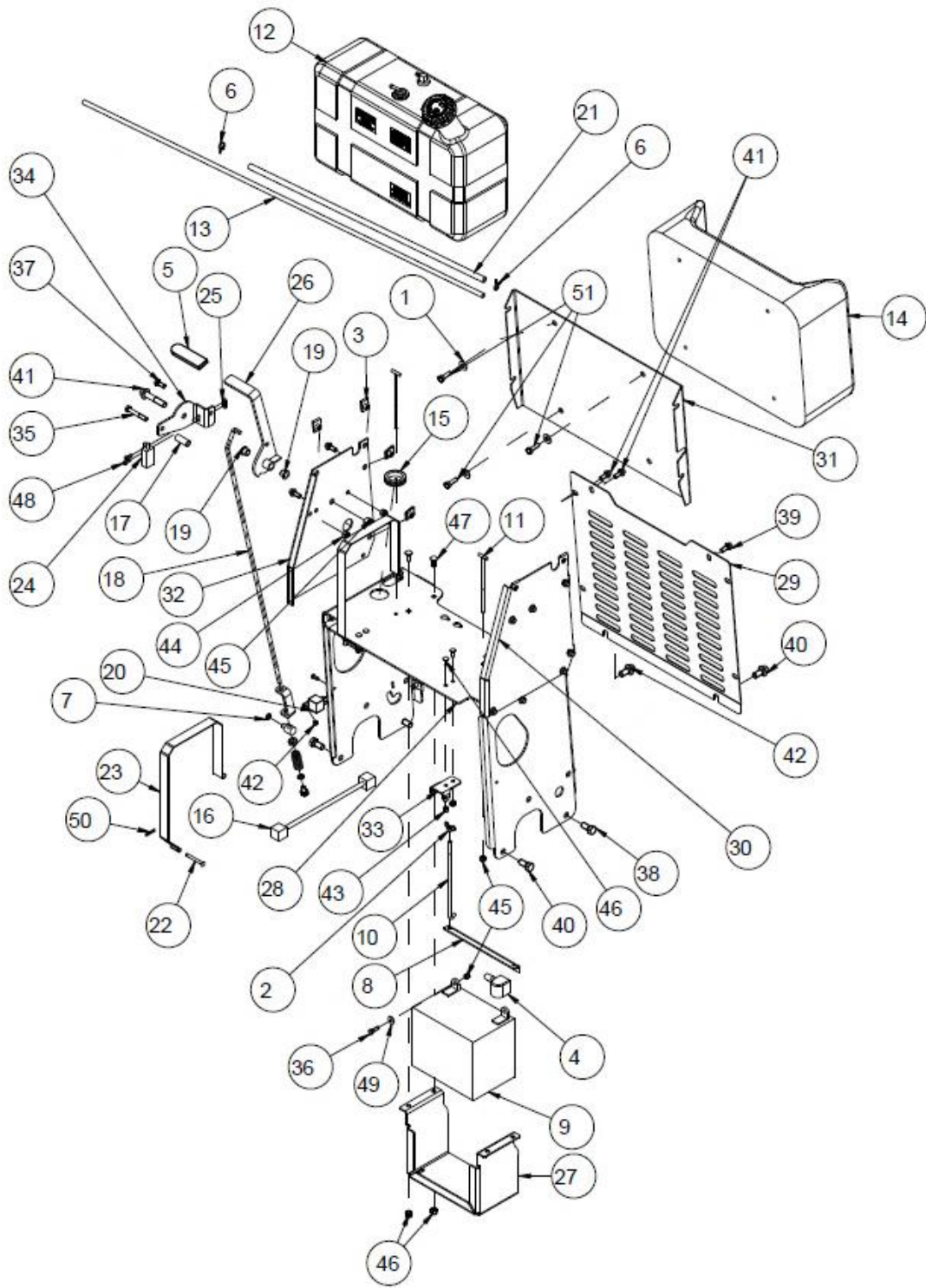
UPPER HANDLE ASSEMBLY



UPPER HANDLE ASSEMBLY

| ITEM | PART NO. | DESCRIPTION |
|------|-----------|------------------------------------|
| 1 | 423027 | SWITCH, KEY |
| 2 | 452075 | CONTROL ROD ASSEMBLY, COMPLETE |
| 3 | 452082 | CONTROL ASSEMBLY RH, COMPLETE |
| 4 | 452083 | CONTROL ASSEMBLY LH, COMPLETE |
| 5 | 452124 | CONSOLE WITH DECAL |
| 6 | 452115-2 | REFERENCE BAR WELDMENT |
| 7 | 453237 | PIN, CONTROL PIVOT |
| 8 | 523031 | SWITCH, BLADE |
| 9 | 523037 | CABLE, CHOKE |
| 10 | 523283 | HOURMETER |
| 11 | 593043 | CABLE, THROTTLE |
| 12 | B5783-845 | SCREW, HH TAP M8X45 |
| 13 | B5787-820 | SCREW, HH FLANGED M8X20 |
| 14 | B5787-830 | SCREW, HH FLANGED M8X30 |
| 15 | B6177-8 | NUT, SERRATED FLANGE M8 |
| 16 | B6182-5 | NUT, NYLOC M5 |
| 17 | B6182-8 | NUT, NYLOC M8 |
| 18 | B6187-8 | LOCKNUT M8 |
| 19 | B823-516 | SCREW, PAN HEAD PHILLIPS M5X16 |
| 20 | 5205017 | SPHERICAL ROD END LH, M8, SILBJK85 |
| 21 | 5205003 | SPRING |
| 22 | B6171-8L | NUT M8 LH |
| 23 | 453229 | CONTROL ROD |
| 24 | B6171-8 | NUT M8 |
| 25 | 5205016 | SPHERICAL ROD ENG, M8, SIBJK8S |

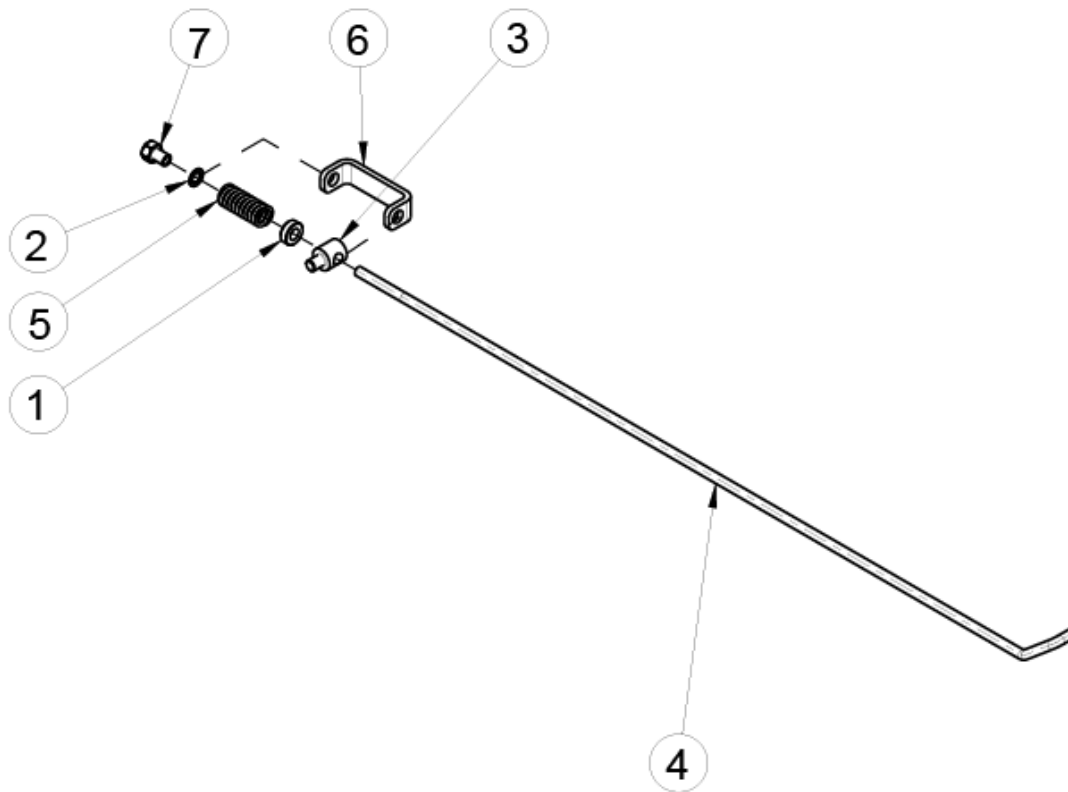
UPPER FRAME GROUP



UPPER FRAME GROUP

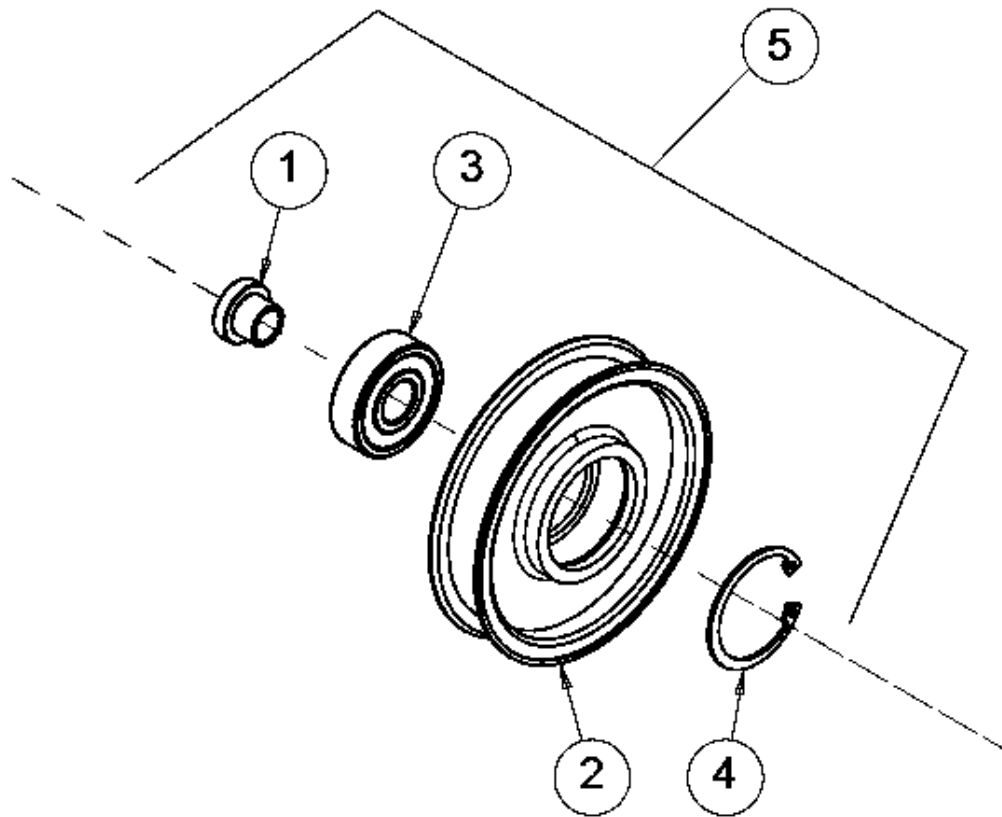
| ITEM | PART NO. | DESCRIPTION |
|------|------------|--|
| 1 | 105258 | WASHER, 5/16 USS |
| 2 | 109012 | 1/4 WING NUT |
| 3 | 109045 | CLIP, NUT M8 |
| 4 | 343134 | BATTERY BOOT |
| 5 | 363022 | GRIP |
| 6 | 363098 | CLAMP, FUEL LINE |
| 7 | 363177 | PUSH NUT, 3/8 |
| 8 | 453419-1 | BATTERY HOLD DOWN |
| 9 | N/A | BATTERY – FOR REFERENCE ONLY |
| 10 | 423172 | ROD, BATTERY HOLD DOWN |
| 11 | 452131 | T-BOLT WELDMENT |
| 12 | 453362 | FUEL TANK COMPLETE SEE PG 22 FOR EXPLODED VIEW |
| 13 | 453374 | 3/16 LINE, VENT 46” |
| 14 | 453379 | CUSHION, LEG WORLDLAWN |
| 15 | 453382 | GROMMET, RUBBER 1-5/16 I.D. |
| 16 | 453401 | HARNESS, NEUTRAL POSITION |
| 17 | 453404 | SPACER, LEVER MOUNT |
| 18 | 454092 | BRAKE ROD ASSEMBLY SEE PG 16 FOR EXPLODED VIEW |
| 19 | 543154 | BUSHING, MOTION CONTROL |
| 20 | 583351 | RELAY |
| 21 | 823315 | FUEL LINE 1/4 X 27” |
| 22 | 4805003 | PIN |
| 23 | 4805010 | STRAP, FUEL TANK |
| 24 | 523034 | BRAKE SWITCH |
| 25 | 5208103 | NUT PLATE |
| 26 | 452136-1 | WLD, BRAKE LEVER – BLACK |
| 27 | 453272-1 | BATTERY TRAY |
| 28 | 453273-2 | TANK SUPPORT |
| 29 | 453274-1 | COVER |
| 30 | 453275-2 | SIDE PLATE LH |
| 31 | 453276-1 | COVER, UPPER |
| 32 | 453278-2 | SIDE PLATE. RH |
| 33 | 453388-2 | BRACKET, TANK BAND, RED |
| 34 | 453397-2 | BRACKET, BRAKE MOUNT, RED |
| 35 | B5782-855 | SCREW, HH M8 X 55 |
| 36 | B5783-620 | SCREW, HH TAP M6 X 20 |
| 37 | B5783-820 | SCREW, HH TAP M8 X 20 |
| 38 | B5783-1225 | SCREW, HH TAP M12 X 25 |
| 39 | B5787-820 | SCREW, HH FLANGED M8 X 20 |
| 40 | B57871225 | SCREW, HH FLANGED M12 X 25 |
| 41 | B5787-1260 | SCREW, HH FLANGED M12 X 60 |
| 42 | B6182-5 | NUT, NYLOC M5 |
| 43 | B6182-6 | NUT, NYLOC M6 |
| 44 | B6182-8 | NUT, NYLOC M8 |
| 45 | B6182-12 | NUT, NYLOC M12 |
| 46 | B801-616 | BOLT, CARRIAGE SN M6 X 16 |
| 47 | B801-820 | BOLT, CARRIAGE SN M8 X 20 |
| 48 | B823-514 | SCREW, PAN HEAD PHILLIPS M5 X 14 |
| 49 | B96-6 | WASHER, FLAT M6 |
| 50 | XSZ56-1-17 | HAIR PIN |
| 51 | 100273 | HHCS. 5/16-18 X 1 |

BRAKE ROD ASSEMBLY



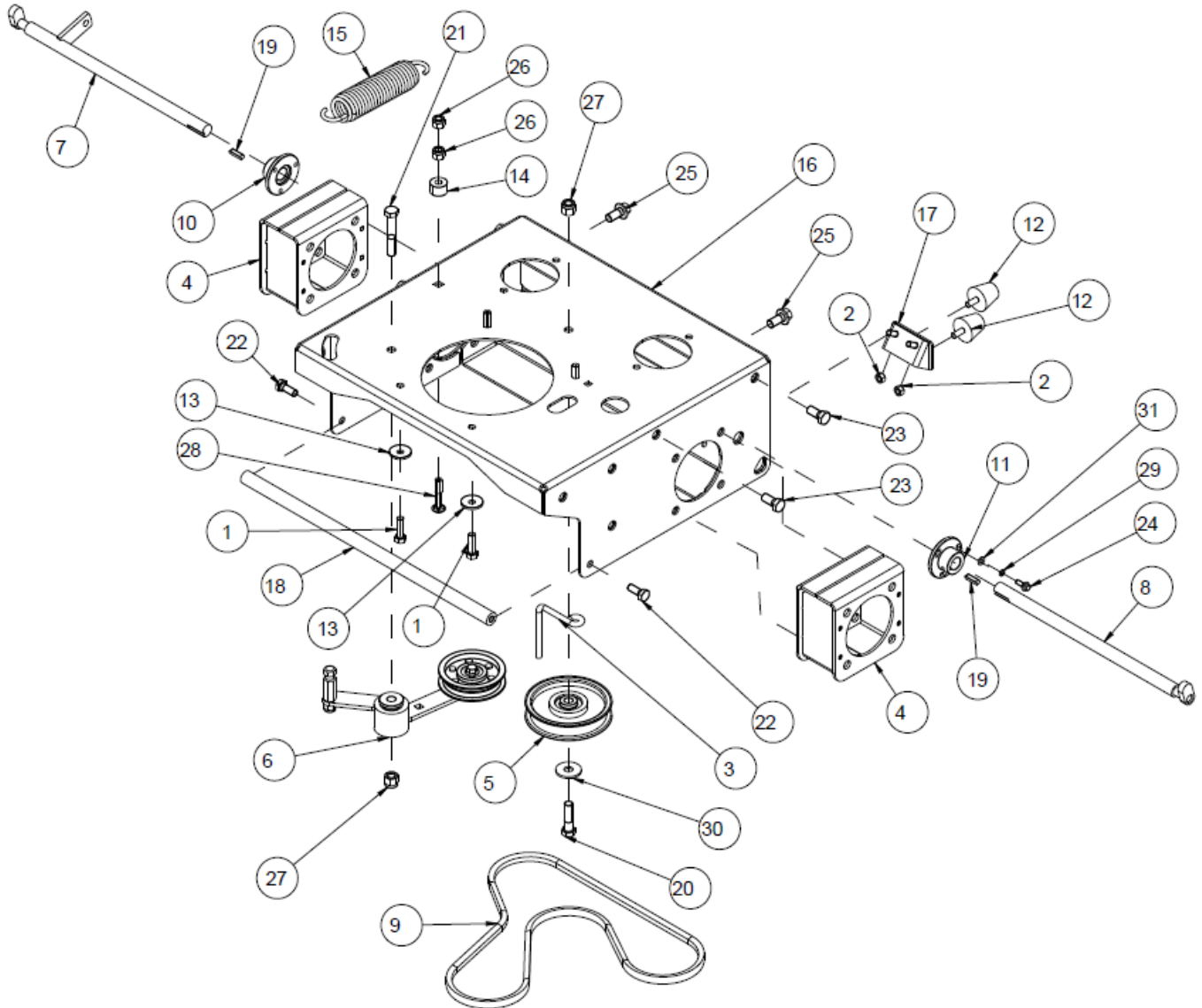
| ITEM | PART NO. | DESCRIPTION |
|------|----------|-----------------------|
| 1 | 363097 | TURNBUCKLE SPACER |
| 2 | 363177 | PUSH NUT, 3/8 |
| 3 | 423130 | SWIVEL |
| 4 | 453393 | BRAKE ROD |
| 5 | 523024 | SPRING |
| 6 | 543386 | BRAKE SPRING RETAINER |
| 7 | 593116 | BRAKE SPRING NUT |

IDLER PULLEY ASSEMBLY



| ITEM | PART NO. | DESCRIPTION |
|------|-------------|-----------------------|
| 1 | 543167 | STEPPED SPACER |
| 2 | 3302056 | IDLER PULLEY |
| 3 | B276-6303RS | BEARING |
| 4 | B893.2-47 | SNAP RING |
| 5 | 452062 | IDLER PULLEY COMPLETE |

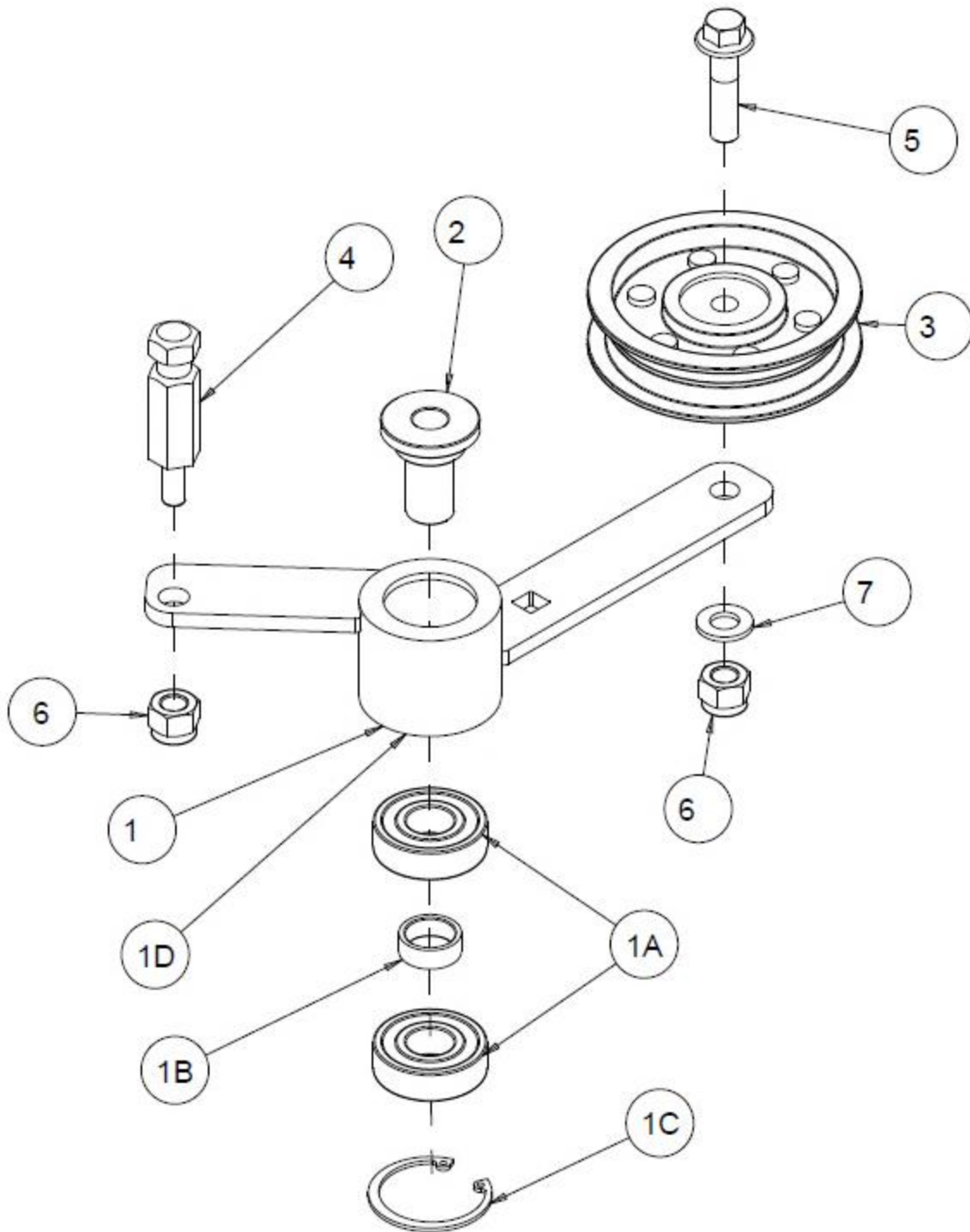
LOWER POWER UNIT



LOWER POWER UNIT

| ITEM | PART NO. | DESCRIPTION |
|------|------------|---|
| 1 | 100293 | SCREW, HH TAP 3/8-16 X 1-1/4 |
| 2 | 104253 | NUT 5/16-24 |
| 3 | 373070 | BELT GUIDE |
| 4 | 452026 | MOTOR EXTENSION |
| 5 | 452062 | IDLER PULLEY ASSEMBLY SEE PG 17 FOR EXPLODED VIEW |
| 6 | 452110 | PUMP IDLER ASSEMBLY SEE PG 20 FOR EXPLODED VIEW |
| 7 | 452134 | WLD, BRAKE SHAFT, RH |
| 8 | 453135 | WLD, BRAKE SHAFT, LH |
| 9 | 453311 | BELT, PUMP |
| 10 | 453398 | HUB, BRAKE SHAFT, FEMALE |
| 11 | 453399 | HUB, BRAKE SHAFT, MALE |
| 12 | 623239 | BUMPER |
| 13 | 753027 | WASHER, SPRING DISC 3/8 |
| 14 | 823309 | SPACER |
| 15 | 5201002 | SPRING |
| 16 | 452090-2 | WLD, REAR DECK |
| 17 | 452117-2 | WLD, BUMPER MOUNT |
| 18 | 453257-2 | BAR, CROSSMEMBER |
| 19 | B1096-625 | KEY, SQ 6 X 25 |
| 20 | B5782-1245 | SCREW, HH M12 X 45 |
| 21 | B5782-1270 | SCREW, HH M12 X 70 |
| 22 | B5783-1025 | SCREW, HH TAP M10 X 25 |
| 23 | B5783-1225 | SCREW, HH TAP M12 X 25 |
| 24 | B5787-616 | SCREW, HH FLANGED M6 X 16 |
| 25 | B5787-1225 | SCREW, HH FLANGED M12 X 25 |
| 26 | B6182-10 | NUT, NYLOC M10 |
| 27 | B6182-12 | NUT, NYLOC M12 |
| 28 | B801-1050 | BOLT, CARRIAGE SN M10 X 50 |
| 29 | B93-6 | WASHER |
| 30 | B96-12 | WASHER, FLAT M12 |
| 31 | B97.1-6 | WASHER M6 |

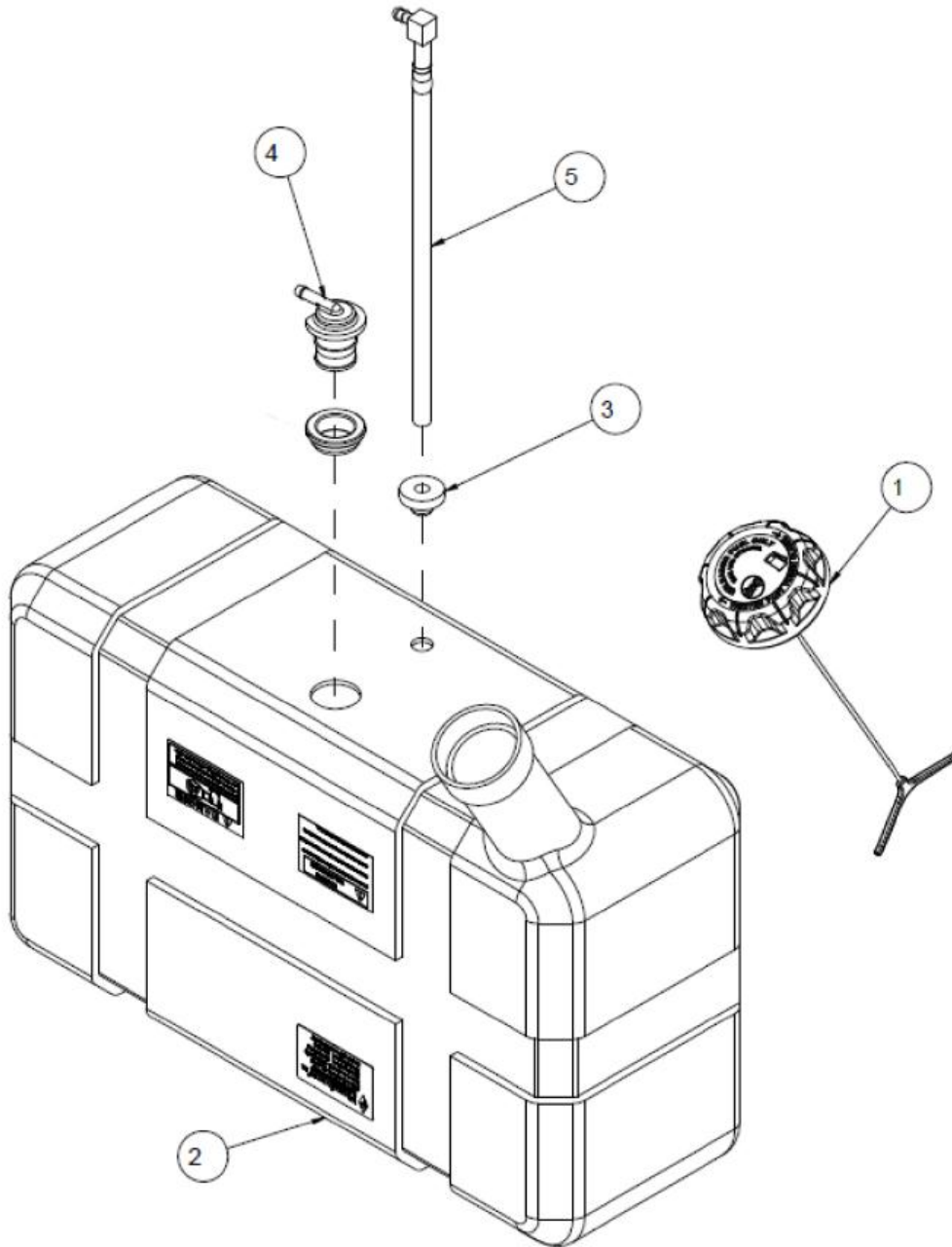
PUMP IDLER ASSEMBLY



PUMP IDLER ASSEMBLY

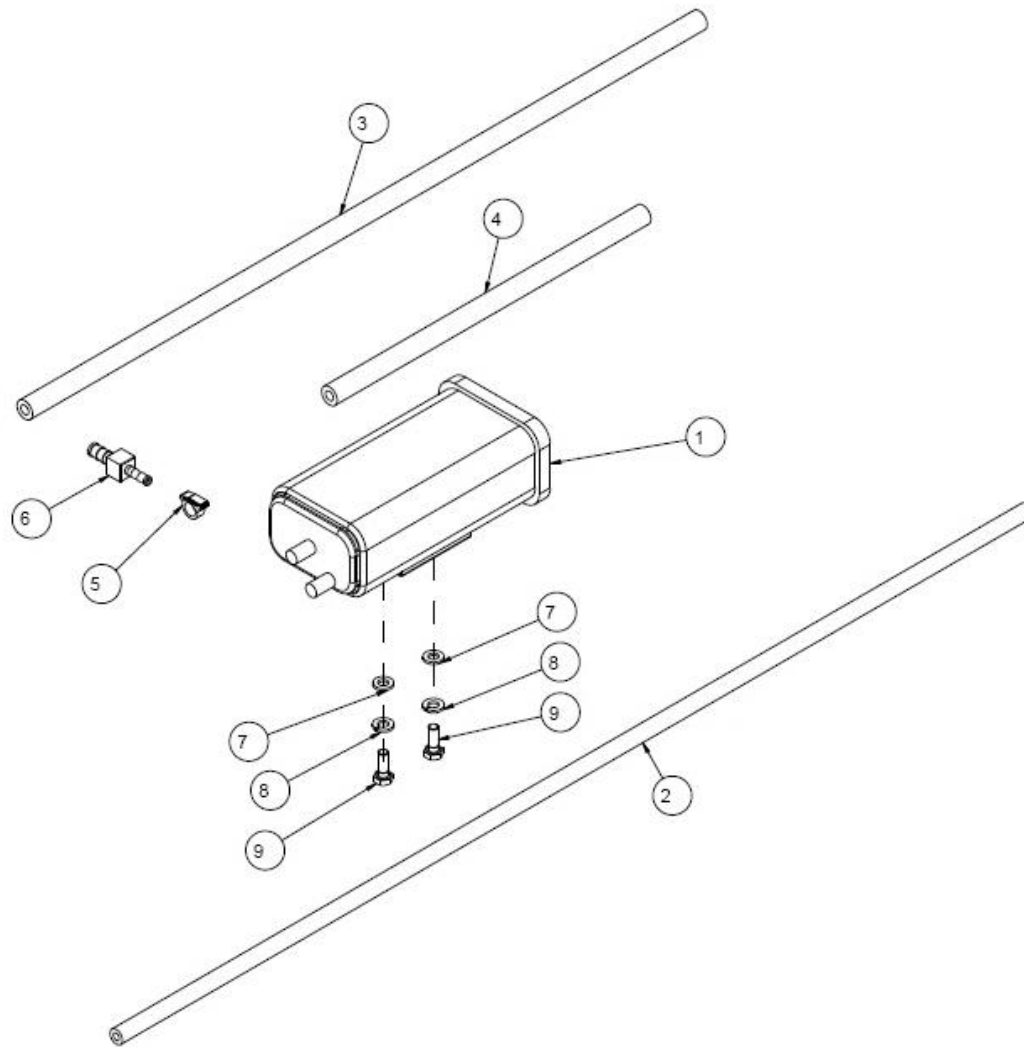
| ITEM | PART NO. | DESCRIPTION |
|------|-------------|-------------------------------|
| 1 | 452100 | IDLER ARM W/BEARINGS COMPLETE |
| 1A | B276-6203RS | BEARING 6203-2RS |
| 1B | 5201077 | BUSHING |
| 1C | B893.1-40 | SNAP RING 40 |
| 1D | 452099 | IDLER ARM WELDMENT |
| 2 | 453313 | BUSHING, STEPPED |
| 3 | 523328 | IDLER PULLEY |
| 4 | 543101 | SPRING ANCHOR 1.46 |
| 5 | B5787-1040 | BOLT, M10 X 40 |
| 6 | B6182-10 | LOCKNUT M10 |
| 7 | B97.1-10 | WASHER M10 |

FUEL TANK ASSEMBLY



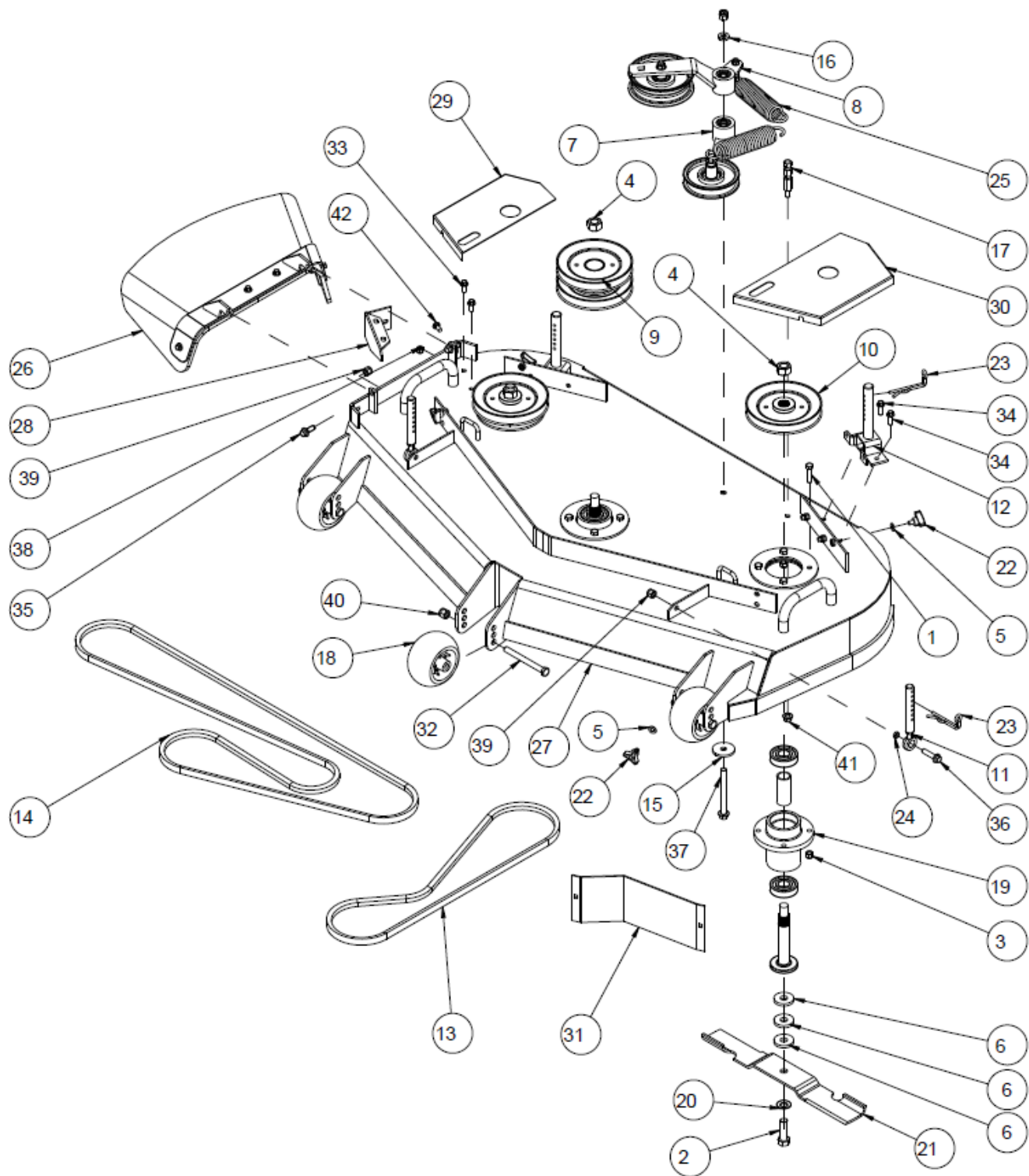
| ITEM | PART NO. | DESCRIPTION |
|------|----------|------------------------------|
| 1 | 3307032 | EPA GAS CAP W/TETHER |
| 2 | 453362 | FUEL TANK ASSEMBLY COMPLETE |
| 3 | 533125 | RUBBER GROMMET |
| 4 | 543283 | FUEL VENT ASSEMBLY W/GROMMET |
| 5 | 453366 | FITTING, 90 DEG FUEL W/TUBE |

CARBON CANISTER ASSEMBLY



| ITEM | PART NO. | DESCRIPTION |
|------|-----------|-------------------------|
| 1 | 363423 | SM CARBON CANISTER |
| 2 | 623418 | HOSE, VENT 3/16 ID X 29 |
| 3 | 533085 | 1/4 FUEL LINE 21.5" |
| 4 | 623410 | .25 FUEL LINE – 10" |
| 5 | 623532 | CLAMP |
| 6 | 5000130 | ADAPTOR, FUEL |
| 7 | B97.1-6 | WASHER M6 |
| 8 | 105004 | 1/4 LOCKWASHER |
| 9 | B5783-616 | SCREW, HH TAP M6 X 16 |

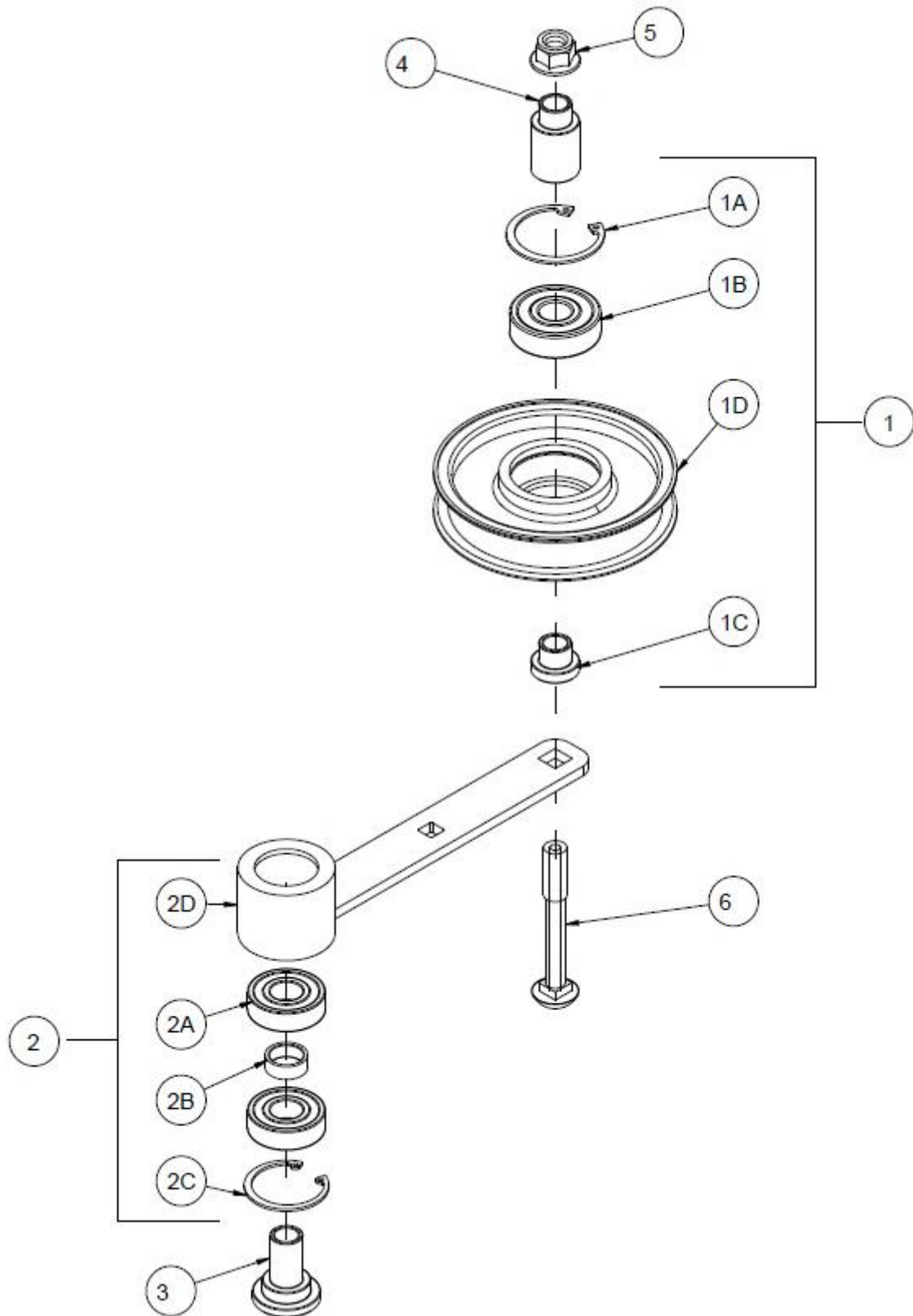
52" DECK ASSEMBLY



52" DECK ASSEMBLY

| ITEM | PART NO. | DESCRIPTION |
|------|-------------|--|
| 1 | 100294 | 3/8-16 X 1-1/2 HHCS |
| 2 | 100347 | 5/8-11 X 2 HHCS |
| 3 | 104257 | 3/8-16 HEX NYLOC NUT |
| 4 | 104511 | 3/4-16 UNF REG HEX NUT |
| 5 | 105257 | 5/16 SAE FLAT WASHER |
| 6 | 363382 | BLADE SPACER |
| 7 | 452064 | IDLER PULLEY ASM SEE PG 26 FOR EXPLODED VIEW |
| 8 | 452068 | IDLER ARM ASM SEE PG 28 FOR EXPLODED VIEW |
| 9 | 452072 | PULLEY, DOUBLE |
| 10 | 452073 | PULLEY, DECK |
| 11 | 452101 | ASM, DECK HEIGHT |
| 12 | 452116 | WLD, HEIGHT PIN |
| 13 | 453214 | BELT, DECK |
| 14 | 453215 | BELT, SERPENTINE |
| 15 | 453219 | WASHER, LARGE |
| 16 | 453220 | SPACER |
| 17 | 453228 | ANCHOR, SPRING |
| 18 | 543225 | ROLLER, ANTI SCALP |
| 19 | 583106 | BLADE SPINDLE ASSY |
| 20 | 583108 | 5/8 SPRING DISC WASHER |
| 21 | 823004 | 18" HI LIFT BLADE |
| 22 | 3302190 | KNOB, 3-PRONGED W/STUD |
| 23 | 4800007 | PIN, DECK LH |
| 24 | 4801302 | SPACER |
| 25 | 5201002 | SPRING, EXTENSION |
| 26 | 6001050 | ASM, DISCHARGE CHUTE 52/60 |
| 26A | 6001052 | INNER BRACKET DISCHARGE CHUTE |
| 26B | 6001053 | DISCHARGE CHUTE (RUBBER) |
| 26C | 6001054 | OUTER BRACKET DISCHARGE CHUTE |
| 27 | 452125 | DECK W/DECALS |
| 28 | 452119-2 | WLD, DISCHARGE BAFFLE, PTD |
| 29 | 452128 | RH BELTSHIELD W/DECALS, WL |
| 30 | 452129 | LH BELT SHIELD W/DECALS, WL |
| 31 | 543046-2 | BAFFLE, BIRDWING LH, PTD |
| 32 | B5782-12120 | SCREW, HH M12 X 120 |
| 33 | B5787-820 | SCREW, HH FLANGE M8X20 |
| 34 | B5787-825 | SCREW, HH FLANGE M8x25 |
| 35 | B5787-1025 | SCREW, HH FLANGE M10x25 |
| 36 | B5787-1040 | SCREW, HH FLANGE M10X40 |
| 37 | B5787-12120 | SCREW, HH FLANGE M12 X 120 |
| 38 | B6182-8 | NUT, NYLOC M8 |
| 39 | B6182-10 | NUT, NYLOC M10 |
| 40 | B6182-12 | NUT, NYLOC M12 |
| 41 | B6187-10 | FLANGED TOPLOCK M10 |
| 42 | B801-820 | BOLT, CARRIAGE SN M8X20 |

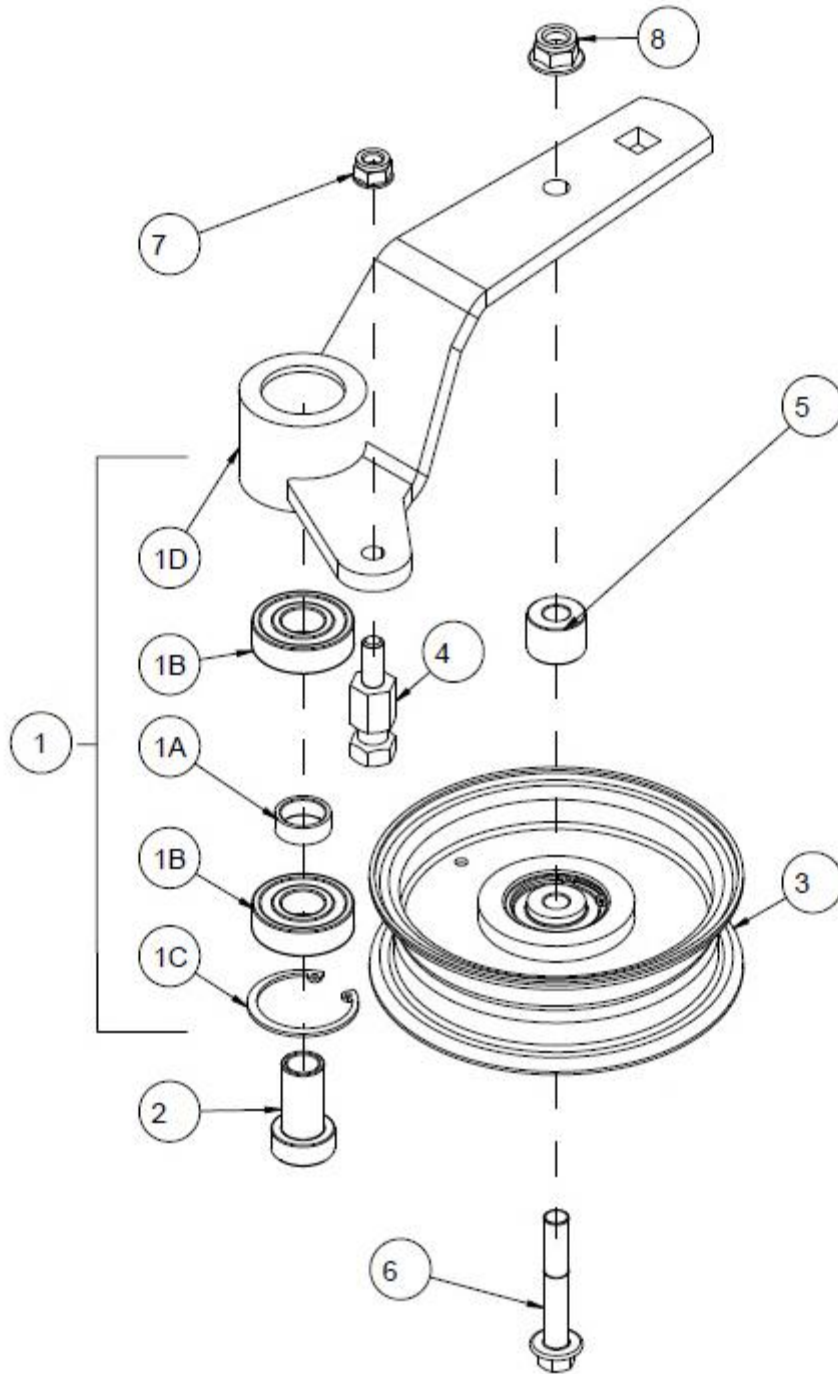
LOWER DECK IDLER ASSEMBLY



LOWER DECK IDLER ASSEMBLY

| ITEM | PART NO. | DESCRIPTION |
|-----------|--------------------|---------------------------------------|
| 1 | 452062 | IDLER PULLEY ASSEMBLY COMPLETE |
| 1A | B893.2-47 | SNAP RING 47 |
| 1B | B276-6303RS | BEARING 6303-2RS |
| 1C | 543167 | SPACER, STEPPED |
| 1D | 3302056 | PULLEY |
| 2 | 452071 | IDLER ARM W/BEARINGS COMPLETE |
| 2A | B276-6203RS | BEARING 6303-2RS |
| 2B | 5201077 | BUSHING |
| 2C | B893.1-40 | SNAP RING 40mm |
| 2D | 452063 | IDLER ARM |
| 3 | 453313 | BUSHING, STEPPED |
| 4 | 453364 | SPACER, STEPPED |
| 5 | B6187-12 | NUT, M12 |
| 6 | B801-1290 | BOLT, CARRIAGE M12 X 90 |

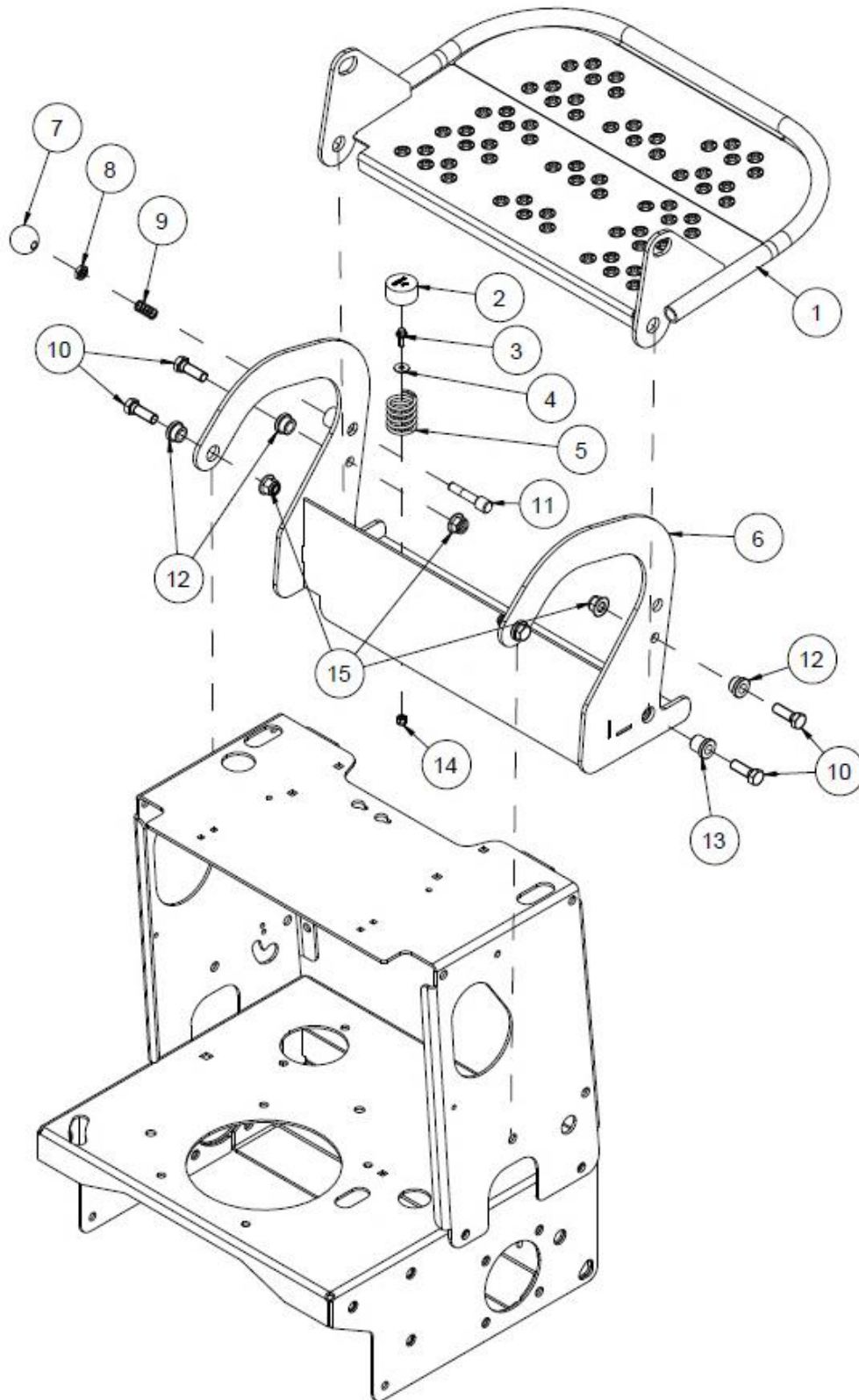
UPPER DECK IDLER ASSEMBLY



UPPER DECK IDLER ASSEMBLY

| ITEM | PART NO. | DESCRIPTION |
|------|-------------|-------------------------------|
| 1 | 452067 | IDLER ARM W/BEARINGS COMPLETE |
| 1A | 5201077 | BUSHING |
| 1B | B276-6203RS | BEARING 6203-2RS |
| 1C | B893.1-40 | SPACER 40 |
| 1D | 452065 | WELDMENT, IDLER ARM, TOP |
| 2 | 453213 | BUSHING, STEPPED |
| 3 | 533114 | DECK TENSION IDLER |
| 4 | 543100 | ANCHOR, SPRING .91 |
| 5 | 593439 | ENGINE BASE SPACER |
| 6 | B5787-1060 | BOLT M10 X 60 |
| 7 | B6187-8 | NUT M8 |
| 8 | B6187-10 | LOCKNUT M10 |

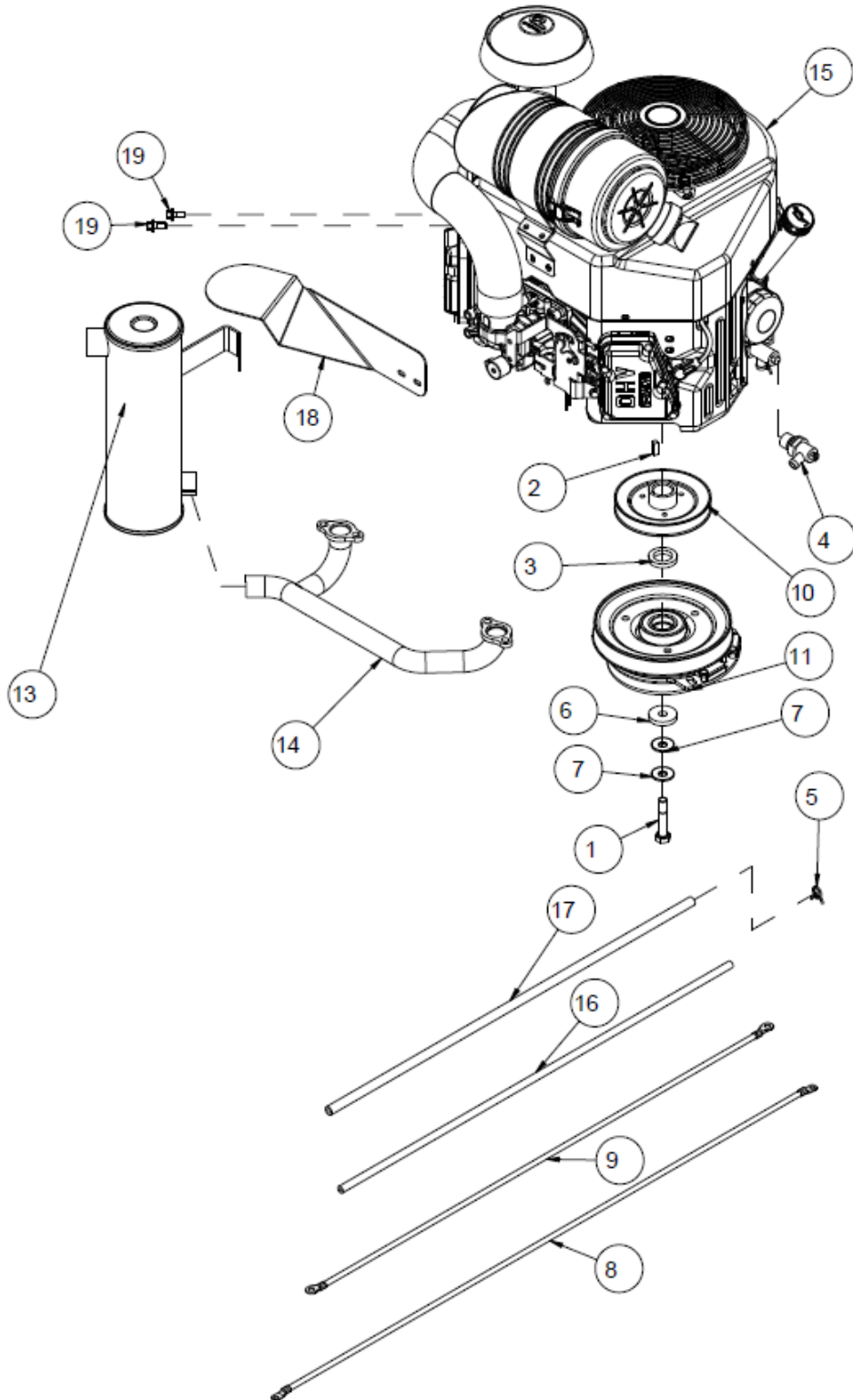
SULKY ASSEMBLY



SULKY ASSEMBLY

| ITEM | PART NO. | DESCRIPTION |
|------|---------------|---------------------------|
| 1 | 452091-1 | FOOTPLATE WELDMENT |
| 2 | 5203045 | CAP, PLASTIC |
| 3 | B5787-616 | SCREW, HH FLANGED M6 X 16 |
| 4 | B96-6 | WASHER, FLAT M6 |
| 5 | 5203044 | SPRING |
| 6 | 452092-2 | SULKY MOUNT WELDMENT |
| 7 | B4141.11-1035 | KNOB, M10 X 35 |
| 8 | B6172-10 | NUT, JAM M10 |
| 9 | 4806013 | COMPRESSION SPRING |
| 10 | B5783-1235 | SCREW, HH TAP M12 X 35 |
| 11 | 453279 | PIN, LATCH |
| 12 | 453288 | BUSHING |
| 13 | 453287 | BUSHING |
| 14 | B6182-6 | NUT, NYLOC M6 |
| 15 | B6183-12 | NUT, FLANGED NYLOC M12 |

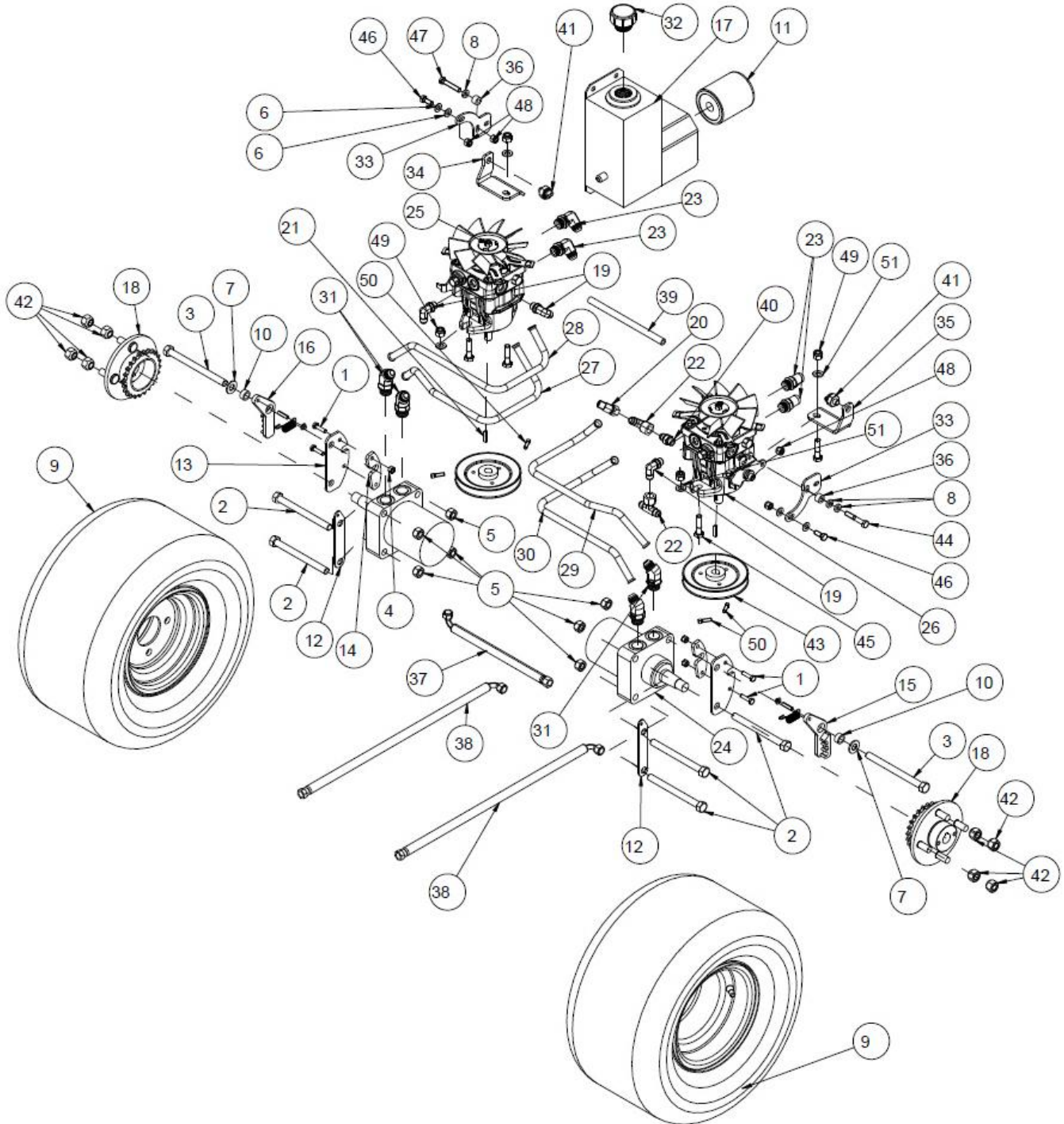
ENGINE GROUP



ENGINE GROUP

| ITEM | PART NO. | DESCRIPTION |
|-----------|-----------|-------------------------------------|
| 1 | 100535 | BOLT 7/16-20 X 2-1/2 |
| 2 | 107258 | KEY .25 SQ X .75 |
| 3 | 343128 | PULLEY WASHER |
| 4 | 343146 | DRAIN, OIL 90 DEG |
| 5 | 363098 | CLAMP FUEL LINE |
| 6 | 423068 | WASHER, 7/16 ID X 1.50 OD X .25 THK |
| 7 | 423069 | WASHER, SPRING DISC 7/16 |
| 8 | 423117 | POSITIVE CABLE, LONG |
| 9 | 423118 | NEGATIVE CABLE |
| 10 | 453309 | PULLEY, PUMP DRIVE |
| 11 | 453330 | CLUTCH, 125 FT/LB |
| 12 | 453332 | HARNESS, WIRE, KAW (NOT SHOWN) |
| 13 | 453407 | MUFFLER, LONG |
| 14 | 453408 | MANIFOLD, LONG CAN |
| 15 | N/A | 26HP KAWASAKI – FOR REFERENCE ONLY |
| 16 | 623418 | HOSE, VENT 3/16 ID X 29 |
| 17 | 823315 | FUEL LINE 1/4 X 27" |
| 18 | 453412-1 | GUARD, AIR INTAKE HEAT - BLACK |
| 19 | B5787-816 | SCREW, HH FLANGED M8 X 16 |
| NOT SHOWN | 483098 | MUFFLER GASKET |

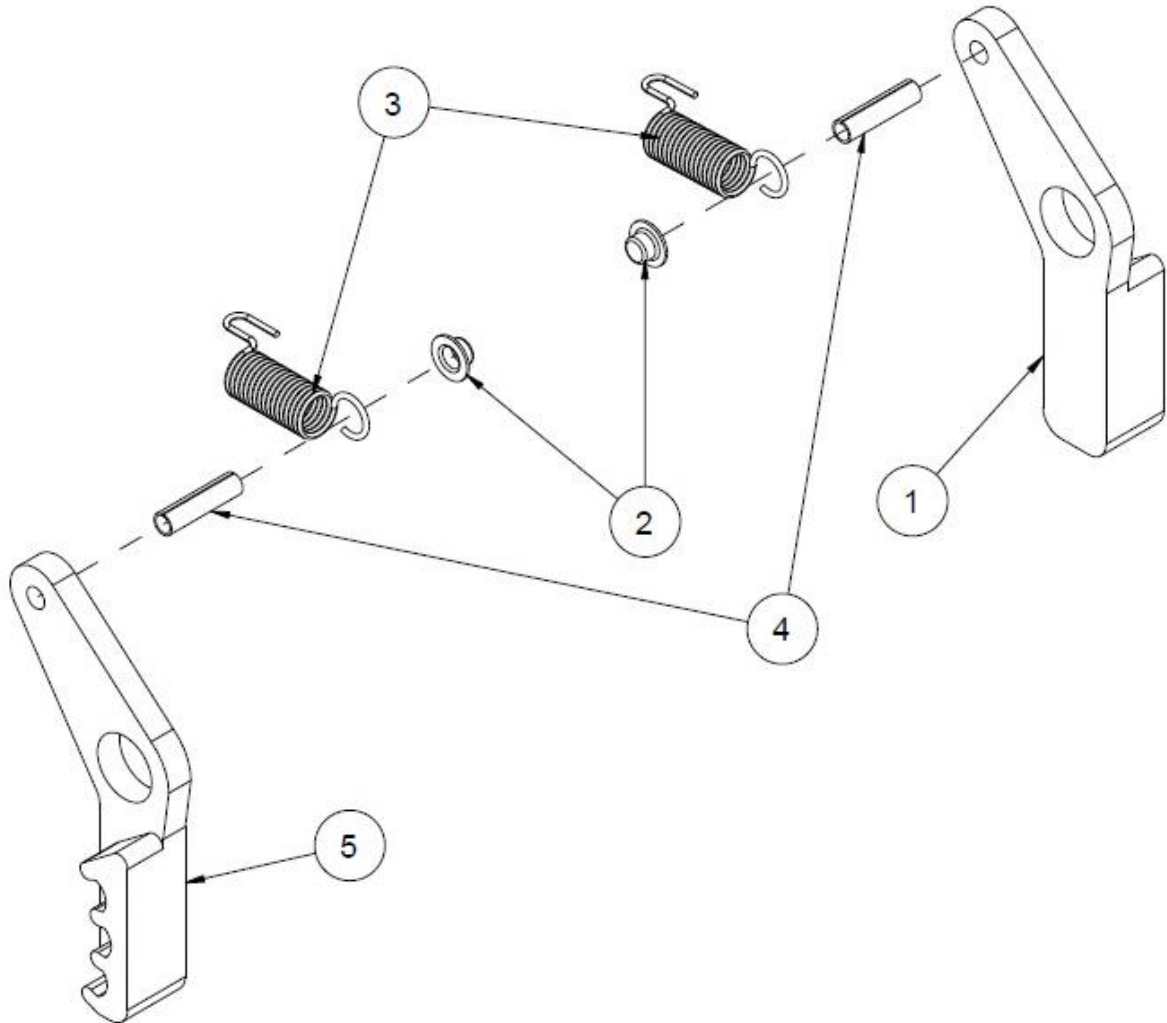
HYDRO GROUP



HYDRO GROUP

| ITEM | PART NO. | DESCRIPTION |
|------|------------|---|
| 1 | 100004 | 1/4-20 X 1 HHCS |
| 2 | 100339 | 1/2-13 X 6 HHCS |
| 3 | 100340 | 1/2-13 X 6-1/2 HHCS |
| 4 | 104255 | NUT, NYLOC 1/4-20 |
| 5 | 104259 | NUT, NYLOC 1/2-13 |
| 6 | 105257 | WASHER, FLAT SAE 5/16 |
| 7 | 105266 | WASHER, FLAT SAE 1/2 |
| 8 | 253075 | SPACER |
| 9 | 353126 | WHEEL COMPLETE 18-9.5 X 8 |
| 10 | 423284 | BRAKE ARM BUSHING |
| 11 | 423361 | OIL FILTER |
| 12 | 423398 | SPRING STRAP |
| 13 | 423400 | CAM SUPPORT |
| 14 | 423402 | CAM ROD RETAINER |
| 15 | 424061 | CW BRAKE CLAW ASSEMBLY – SEE PG 36 FOR EXPLODED VIEW |
| 16 | 424062 | CCW BRAKE CLAW ASSEMBLY – SEE PG 36 FOR EXPLODED VIEW |
| 17 | 452120 | TANK, HYDRO SMALL |
| 18 | 452133 | WHEEL HUB ASSEMBLY |
| 19 | 453074 | ADAPTER 90 DEG 6801-6 |
| 20 | 453075 | ADAPTER, 6502-6-6 45 DEG |
| 21 | 453102 | KEY PUMP 5MM |
| 22 | 453106 | SWIVEL TEE F6600-6-6-6 |
| 23 | 453113 | ELBOW F6801-8-8 |
| 24 | 453153 | WHEEL MOTOR |
| 25 | 453260 | PUMP, RH PG W/FAN |
| 26 | 453261 | PUMP, LH PG W/FAN |
| 27 | 453301 | TUBE, 52 RH A |
| 28 | 453302 | TUBE, 52 RH B |
| 29 | 453303 | TUBE, 52 LH A |
| 30 | 453304 | TUBE, 52 LH B |
| 31 | 453307 | ADAPTER 45 DEG |
| 32 | 453375 | CAP, OIL TANK ICT |
| 33 | 453381 | BRACKET, NEUTRAL SWITCH |
| 34 | 453383 | MT, NEUTRAL SWITCH RH |
| 35 | 453384 | MT, NEUTRAL SWITCH LH |
| 36 | 543316 | SPACER |
| 37 | 583241 | HOSE - PUMP TO PUMP |
| 38 | 593073 | HOSE - RETURN |
| 39 | 593309 | HOSE - PUMP TO FILTER |
| 40 | 623463 | ADAPTER, STR 6400-6-6 |
| 41 | 4807006 | SWITCH TRANSMISSION |
| 42 | 5000001 | NUT, LUG |
| 43 | 5207070 | PULLEY, PUMP |
| 44 | B5782-850 | SCREW, HH M8 X 50 |
| 45 | B5782-1040 | SCREW, HH M10 X 40 |
| 46 | B5783-820 | SCREW, HH M8 X 20 |
| 47 | B5783-845 | SCREW, HH TAP M8 X 45 |
| 48 | B6182-8 | NUT, NYLOC M8 |
| 49 | B6182-10 | NUT, NYLOC M10 |
| 50 | B84-620 | SQ HD SET SCREW M6 X 20 |
| 51 | B97.1-10 | WASHER M10 |

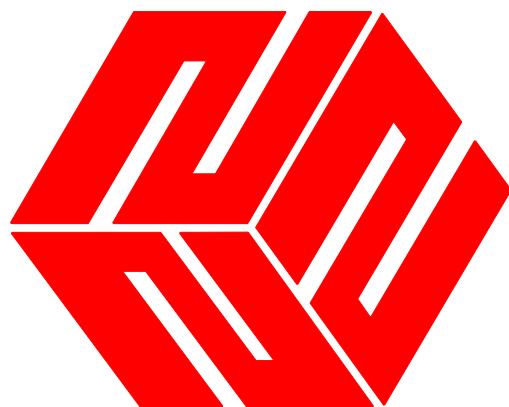
BRAKE CLAW ASSEMBLY



| ITEM | PART NO. | DESCRIPTION |
|------|----------|--------------------|
| 1 | 422152 | CAM CLAW WLD – CW |
| 2 | 423410 | 1/4 PAL NUT |
| 3 | 363155 | OPC SPRING |
| 4 | 106334 | 1/4 X 1 ROLL PIN |
| 5 | 422154 | CAM CLAW WLD - CCW |

DECAL GROUP

| PART NO. | DESCRIPTION |
|-----------------|----------------------------------|
| 8008 | DECAL, CAUTION |
| 8303 | DECAL, CAUTION |
| 8304 | DECAL, NO STEP |
| 8307 | DECAL, WARNING |
| 8326 | DECAL, 52" |
| 8406 | DECAL, HEIGHT ADJUSTING |
| 363023 | DANGER DECAL |
| 363405 | DECAL, LOGO WL LARGE |
| 363416 | EPA DECAL |
| 363427 | DECAL, WORLDLAWN |
| 363428 | DECAL, WORLDLAWN LARGE |
| 423354 | OIL DECAL |
| 453363 | DECAL, CONSOLE |
| 453370 | DECAL, VENOM |
| 453389 | FRONT TIRE PRESSURE DECAL |
| 453390 | REAR TIRE PRESSURE DECAL |



WORLDLAWN®