



WORLDLAWN[®]
POWER EQUIPMENT

LC2P77F

LC2P82F

ENGINES


PARTS MANUAL



WORLDLAWN[®]

WORLDLAWN.COM

 **401 COMMERCE STREET**
BEATRICE, NE 68310

 **800-267-4255**

 **402-223-4103**



CONTENTS

AIR CLEANER ASSEMBLY	6
BLOWER HOUSING ASSEMBLY	7
CARBURETOR ASSEMBLY	8
CRANK CASE COVER ASSEMBLY	9
CRANK CASE ASSEMBLY	10
CRANKSHAFT & PISTON ASSEMBLIES	11
CYLINDER HEAD ASSEMBLY	12
FLYWHEEL & COIL ASSEMBLIES	13
GOVERNOR ASSEMBLY	14
STARTER ASSEMBLY	15
MUFFLER ASSEMBLY	16
VALVE ASSEMBLIES	17
DECALS	18



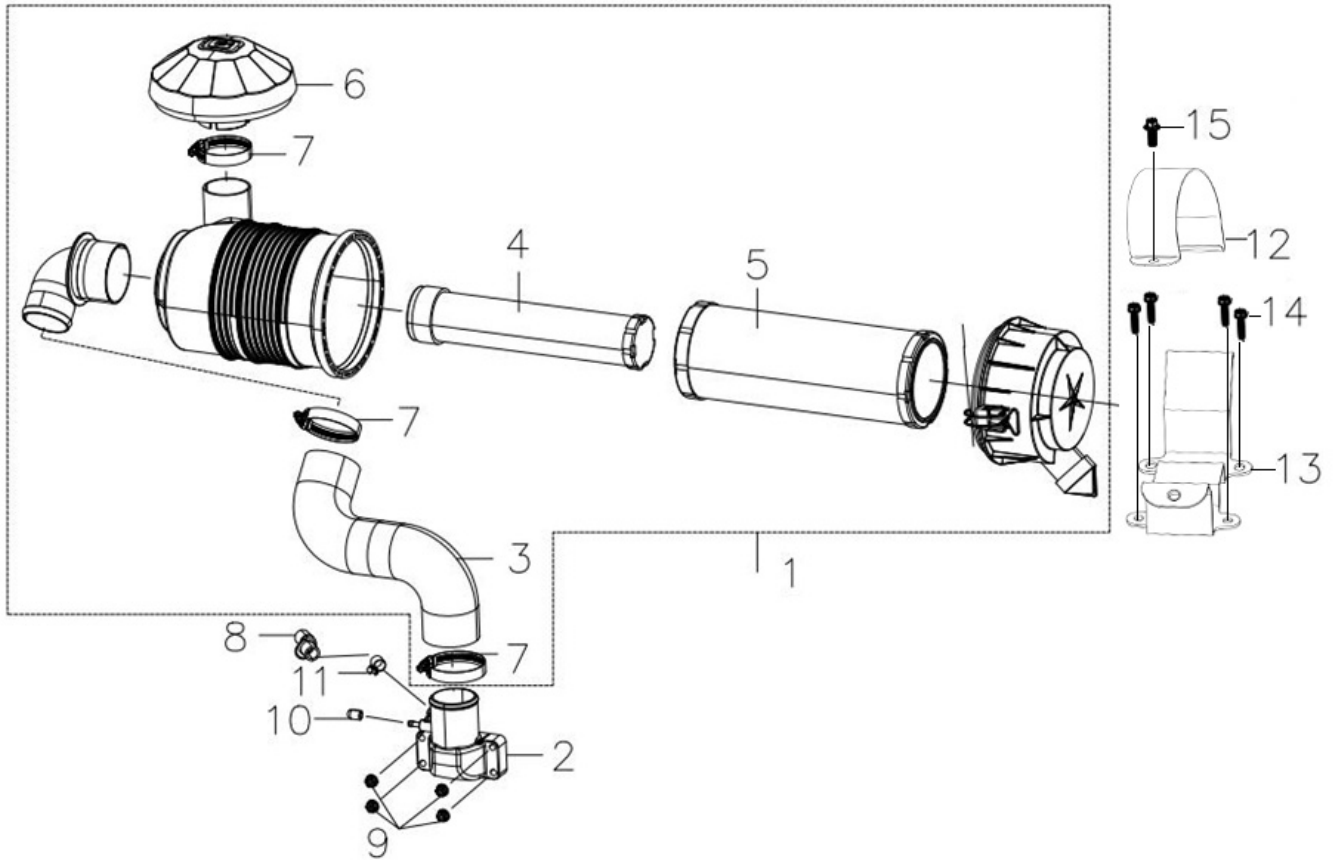
THIS PAGE INTENTIONALLY LEFT BLANK



THIS PAGE INTENTIONALLY LEFT BLANK



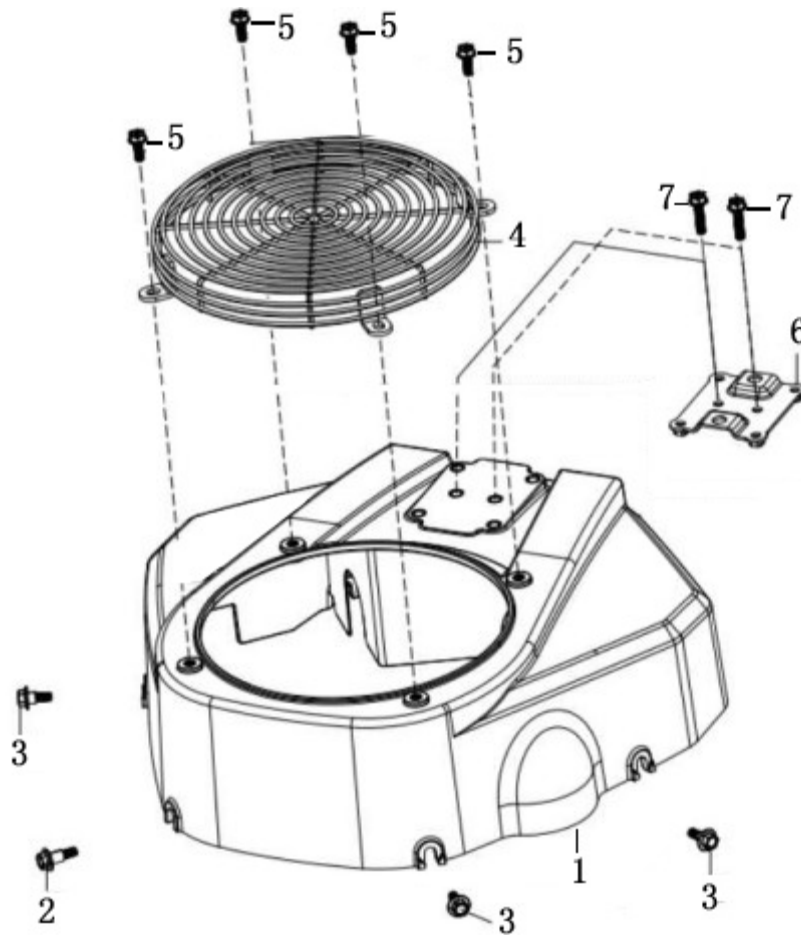
AIR CLEANER ASSEMBLY



	PART NUMBER	DESCRIPTION
1	180010133-0003	FILTER, AIR
2	180280159-0001	ADAPTER, AIR INTAKE
3	180180223-0001	HOSE, AIR INTAKE
4	180100082-0001	FILTER, INNER AIR
5	180100126-0001	FILTER, OUTER AIR
6	662710003-T390	CAP, RAIN
8	380741163-0001	TUBE, PVC
12	182010036-0001	STRAP, AC MOUNT TOP
13	182010037-0001	MOUNT, AC BOTTOM



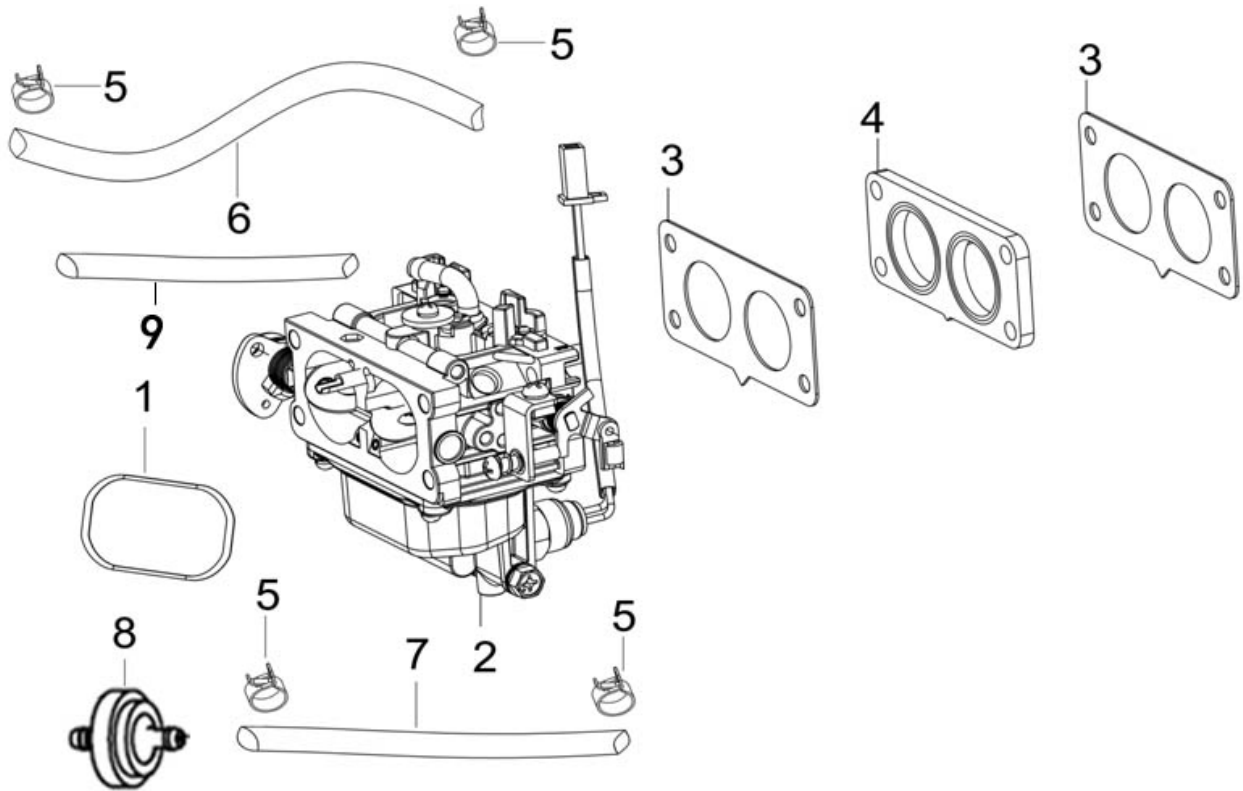
BLOWER HOUSING ASSEMBLY



	PART NUMBER	DESCRIPTION
1	160210243-0001	SHROUD, FAN
2	380020087-0001	SCREW, HHCS
3	380020086-0001	SCREW, HHCS
4	195360025-0001	SCREEN, DEBRIS
6	182010022-0001	PLATE, AC BASE



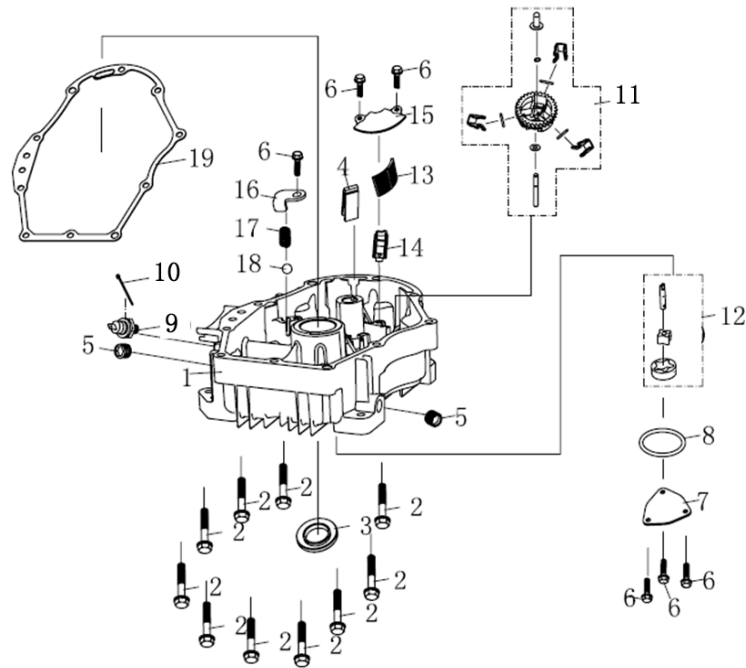
CARBURETOR ASSEMBLY



	PART NUMBER	DESCRIPTION
1	170430184-0001	GASKET, CARBURETOR
2	170022223-0001	CARBURETOR (P77F)
	170022557-0001	CARBURETOR (P82F)
3	170430107-0001	GASKET, CARBURETOR
4	170440073-0001	ISOLATOR, CARBURETOR
8	170010045-0001	FILTER, FUEL



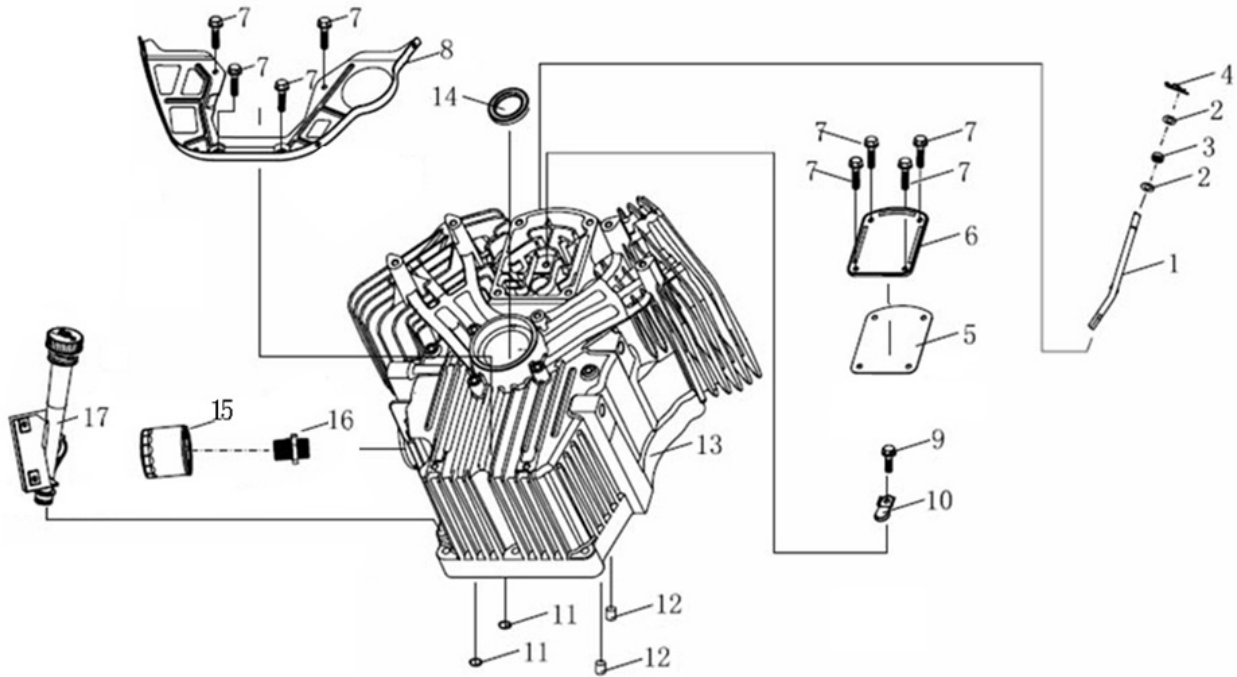
CRANK CASE COVER ASSEMBLY



	PART NUMBER	DESCRIPTION	
	3	380650770-0001	SEAL, LOWER CRANK
	19	110830034-0001	GASKET, CASE COVER



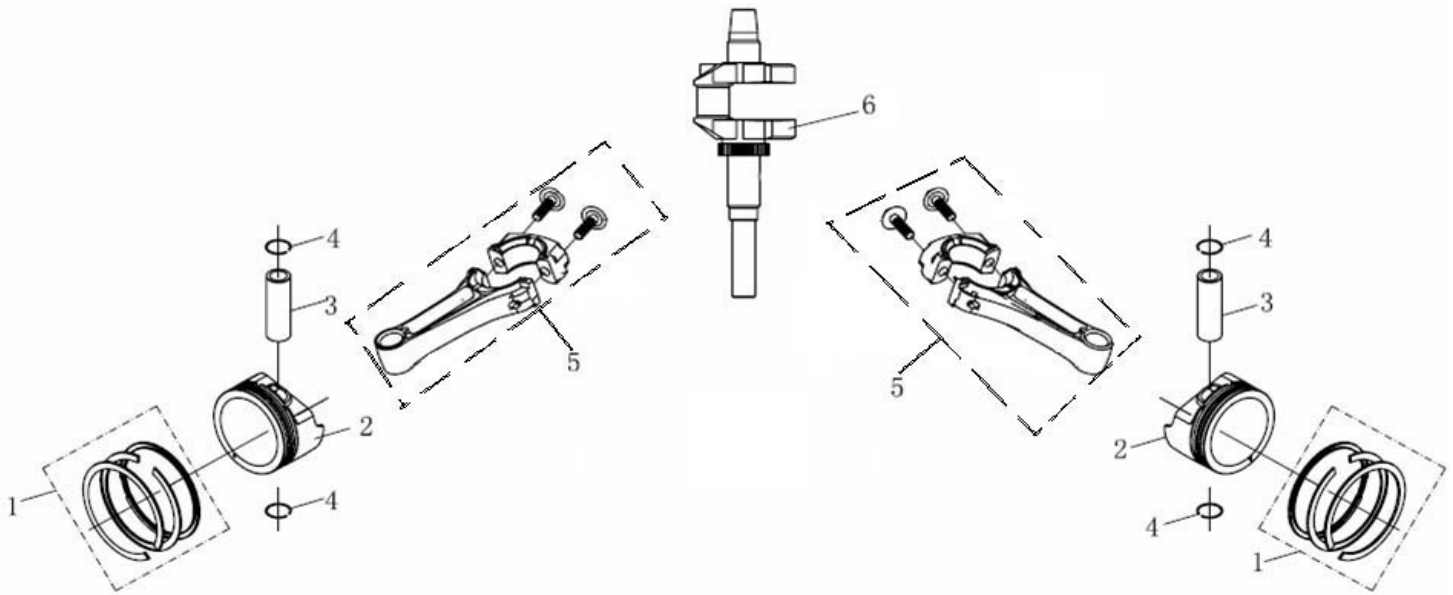
CRANK CASE ASSEMBLY



	PART NUMBER	DESCRIPTION
8	160200061-0001	PAN, FLYWHEEL
14	380650337-0001	SEAL, UPPER CRANK
15	150350046-0002	FILTER, OIL
17	110690043-0001	DIPSTICK, ASSEMBLY



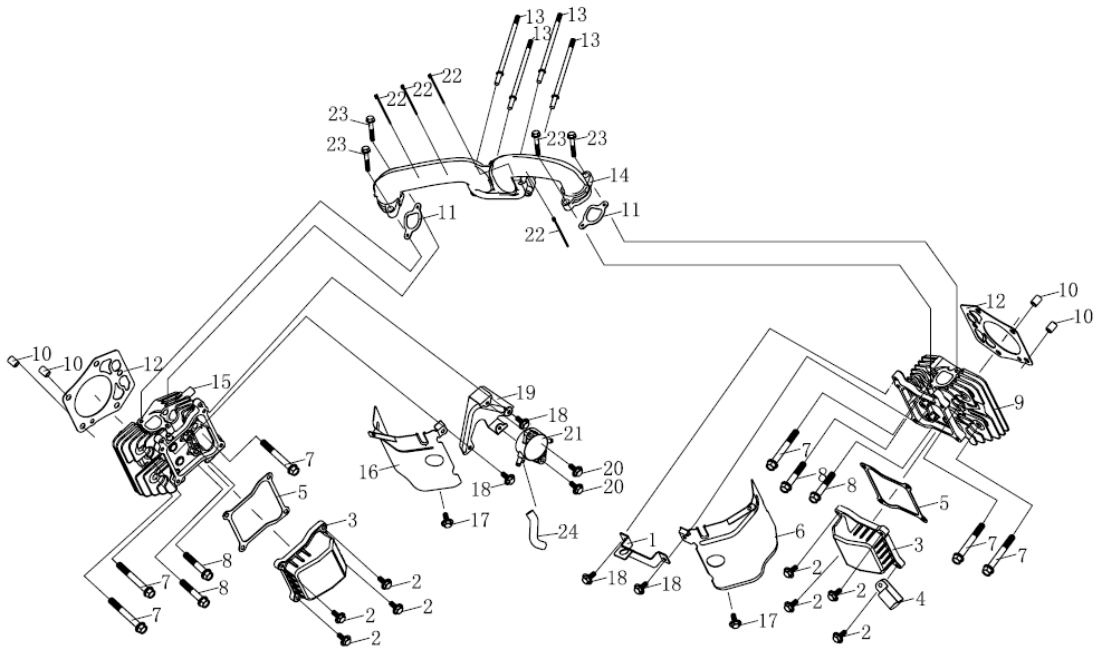
CRANKSHAFT & PISTON ASSEMBLIES



	PART NUMBER	DESCRIPTION
1	130070184-0001	SET, PISTON RINGS (P77F)
	130070325-0001	SET, PISTON RINGS (P82F)
5	130150073-0001	ROD, CONNECTING



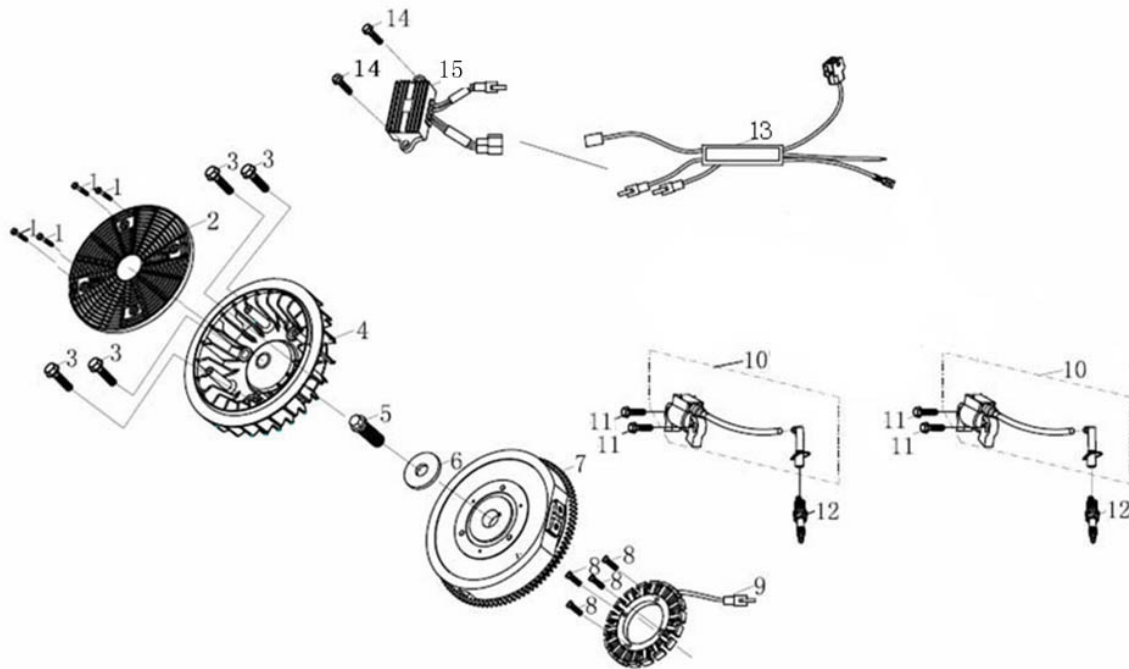
CYLINDER HEAD ASSEMBLY



PART NUMBER	DESCRIPTION
3 120220025-0001	VALVE COVER
5 120250061-0001	GASKET, VALVE COVER
6 160190036-0001	DEFLECTOR, NON-PUMP SIDE AIR
9 120080741-0001	HEAD, LEFT CYLINDER
11 170430106-0001	GASKET, INTAKE MANIFOLD
12 120150289-0001	GASKET, CYLINDER HEAD (P77F)
120150290-0001	GASKET, CYLINDER HEAD (P82F)
14 180420647-0001	MANIFOLD, INTAKE
15 120080742-0001	HEAD, RIGHT CYLINDER
16 160190037-0001	DEFLECTOR, PUMP SIDE AIR
19 170470028-0001	FUEL PUMP MOUNT
21 170460026-0001	FUEL PUMP
24 380740633-0002	HOSE, PUMP VAC



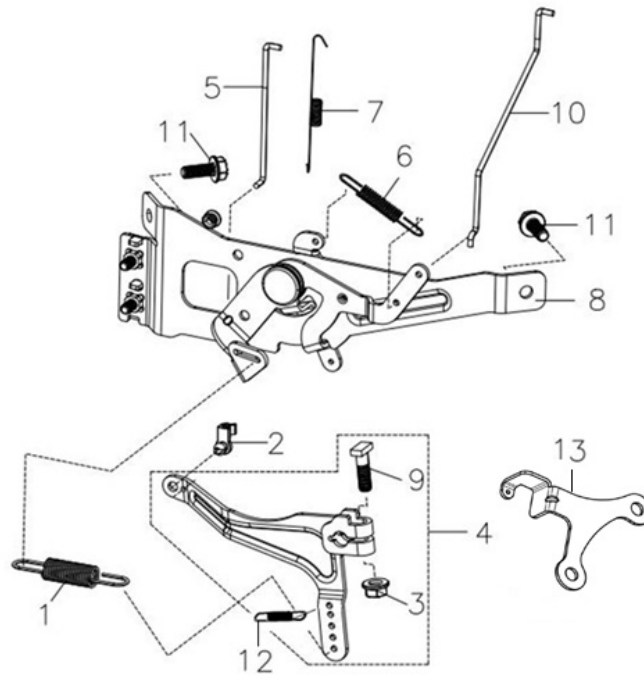
FLYWHEEL & COIL ASSEMBLIES



	PART NUMBER	DESCRIPTION
2	160850008-0001	SCREEN, ROTATING
4	160180020-0001	FAN
7	270020290-0001	FLYWHEEL
9	270190054-0001	STATOR
10	270920507-0001	ASSEMBLY, IGNITION COIL
12	270960046-0001	SPARK PLUG
13	271280133-0001	HARNESS, ENGINE
15	271930021-0001	REGULATOR



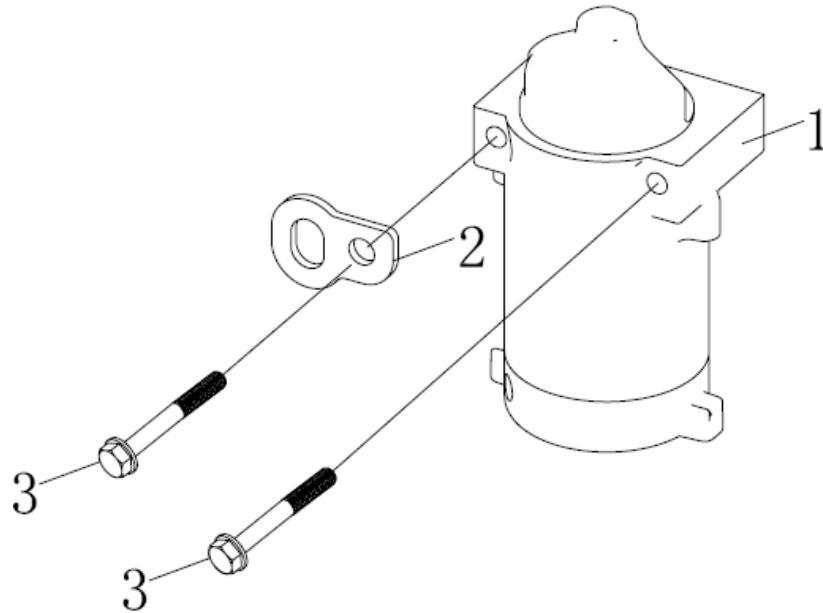
GOVERNOR ASSEMBLY



	PART NUMBER	DESCRIPTION
1	171600111-0001	SPRING, GOVENOR
2	173090003-0001	RETAINER, LINKAGE
4	171620068-0001	GOVERNOR ARM ASSY
5	171590040-0001	LINK, THROTTLE
6	171610028-0001	SPRING, CHOKE RETURN
7	171610038-0001	SPRING, LINKAGE
8	171680144-0001	THROTTLE ASSY
10	171650036-0001	CHOKE LINK
12	171610048-0001	SPRING, THROTTLE RETURN
13	175400003-0001	SPRING BRACKET



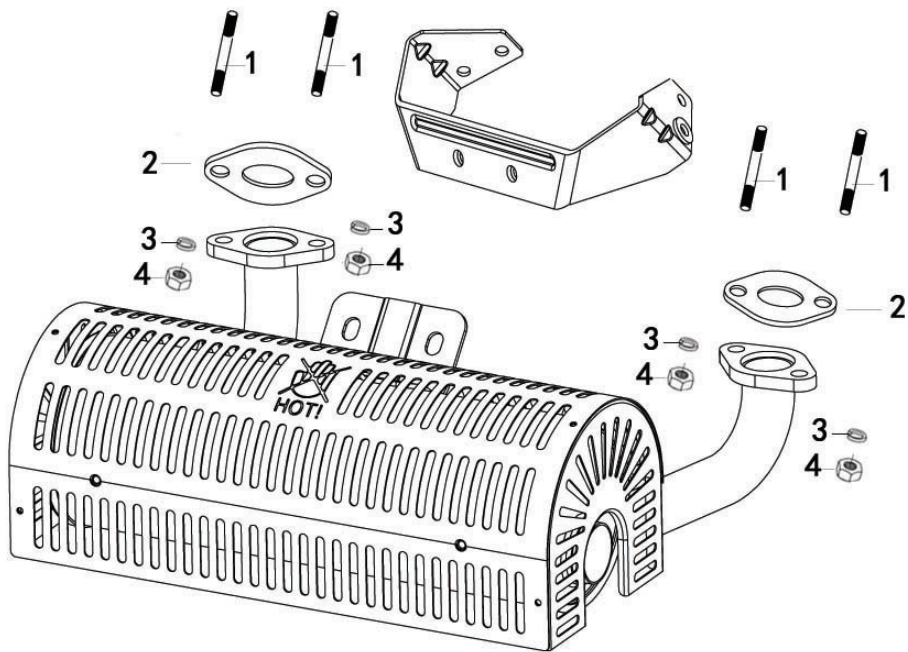
STARTER ASSEMBLY



	PART NUMBER	DESCRIPTION
1	270360170-0001	STARTER



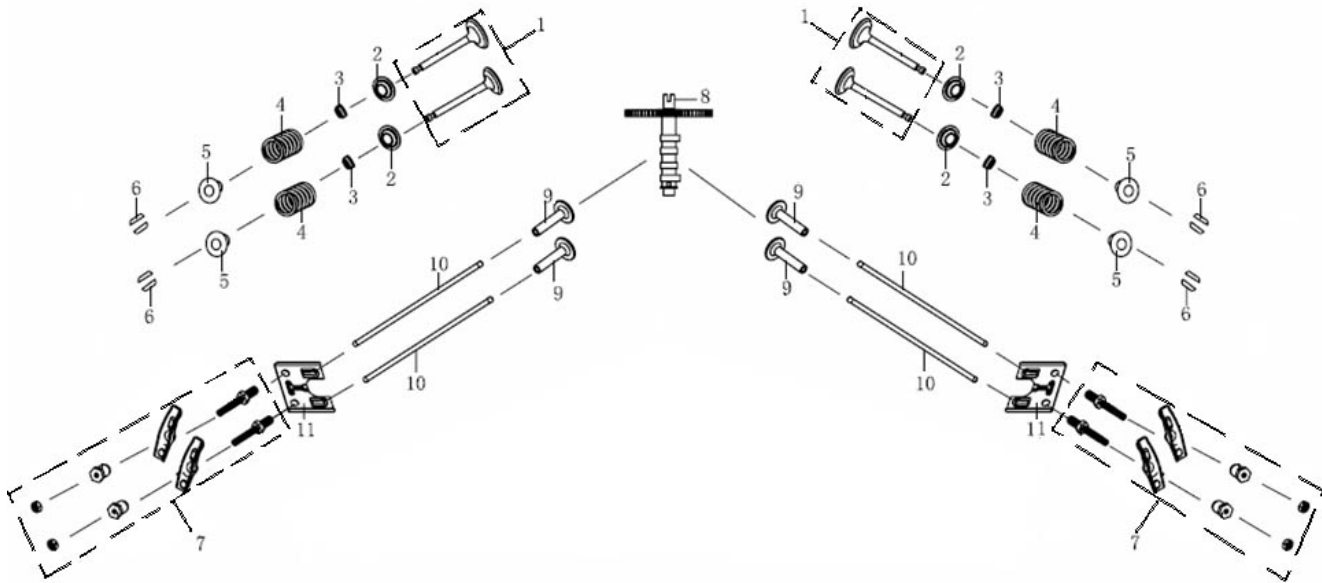
MUFFLER ASSEMBLY



	PART NUMBER	DESCRIPTION
1	380180098-0001	STUD, EXHAUST
2	180650074-0001	GASKET, EXHAUST
	MUFFLER	SHOWN IN MOWER MANUAL



VALVE ASSEMBLIES



	PART NUMBER	DESCRIPTION
7	140450062-0001	ASM, ROCKER ARM
10	140670037-0001	ROD, PUSH
11	140710014-0001	PLATE, PUSH ROD GUIDE



DECALS



633387



633388



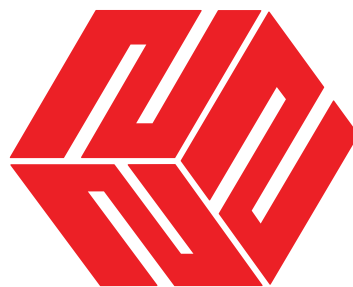
633389



633390



THIS PAGE INTENTIONALLY LEFT BLANK



WORLDLAWN[®]