



ENCORE FUZION MID-CUT

151029 2-BAG GRASS CATCHER

INSTRUCTIONAL / PARTS MANUAL

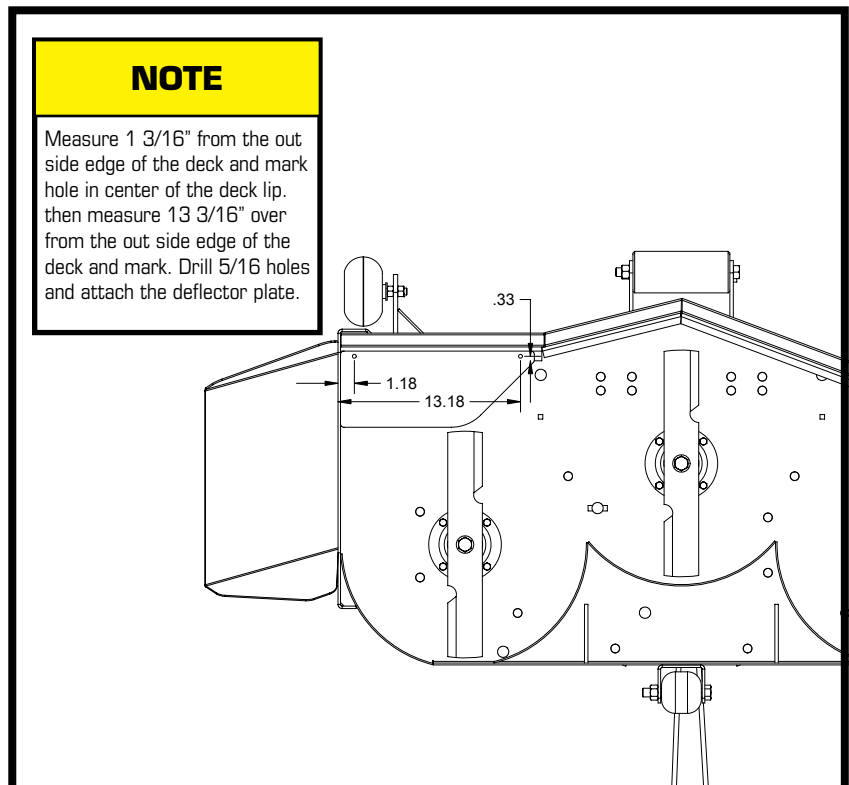


Parts List:

1. #352057 Catcher Mount
2. #353141 Blowout Plate 42" & 48"
3. #153274 Weight backer plate
4. #423210 14.25" super high lift
#483050 16.375" super high lift
#603056 20.25" super hi lift
5. #154038 Catcher chute
6. #152052 Bag frame w/latch
7. #153272 Short bag W/frame
8. #154006 Hood Assy.
9. #153120 Lower Chute
10. #153121 Upper Chute

Lay out components as shown.

- (1) Rear mount bracket, remove the 4 carriage bolts where the rear bumper affixes to the frame. Install the hood support bracket over the top of the existing bumper replacing the 4 5/16 by 3/4 with 4- 5/16 x 1" bolts. Using the remaining two 5/16 x 1" bolts by placing in the two predrilled holes in the back of the bumper and hood mount frame.
- (2) Blow out plate is used on 42 & 48 inch decks only. Locate these bolt holes by positioning the plate flush with the edge of the deck and clamping it in place or measure in 1 3/16 inches in on the front side of the mower deck discharge side and mark the hole then measure 13 3/16 inches in from the out side edge of discharge of deck and again mark the hole position (refer to PDF drawing). Now drill 5/16 hole in the marked positions so that you can install the blow out plate.
- (3) Weight bracket is only needed if you are installing 821017 weight kit. When adding the weight kit, take the weight brace bar and slide it behind front of the foot plate and frame aligning it with the holes provided in the foot plate. Using the 1/2 -13x4 bolts and 4 of the 1/2" flat washers (slide 2 of the washer onto each bolt). Insert the 1/2 bolts into the weight and insert into foot and weight brace secure into place using 1/2 inch flat washer and nut.
- (4) Select proper blade for deck size. The high lift blade mounts on the discharge side of the deck. 14" blade for 34" deck discharge side, 16" blade for 48" deck and 18" blade for 52" deck.
- (5) Remove the discharge chute and mount the catcher chute in it place using the existing mount bolts.
- (6) Refer to existing Z manual for hood and chute assembly.



ASSEMBLY INSTRUCTION

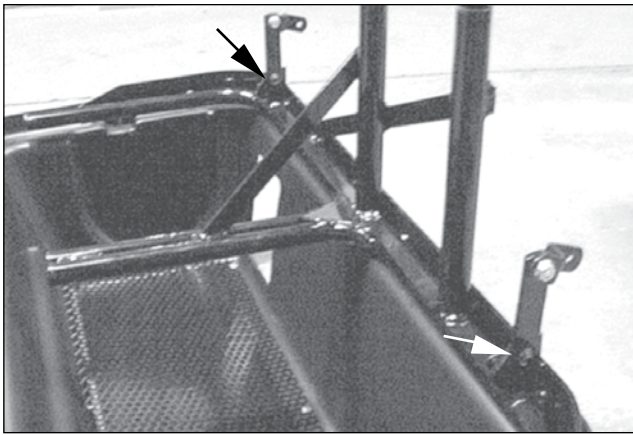


Figure 1
Lay the catcher hood on the floor upside down and slide pins on the catcher frame through the holes on the catcher hood. Secure into place using the 5/16" push nuts supplied in the bolt bag.



Figure 4
Install the grass bags by sliding the mounting hook into the hanger mount.

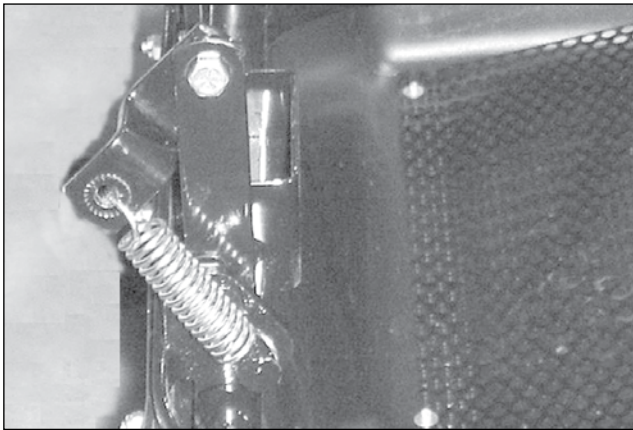


Figure 2
Mount tension springs supplied in the bolt bag onto the hood spring "Z" bracket and catcher frame pin.



Figure 5
Close the grass catcher hood & secure the hood latch.



Figure 3
Slide the assembled hood and frame onto the rear skid bars. Let the assembly slide all the way down to the grass catcher brace.



Figure 6
Slide the upper grass tube into the opening of the catcher hood.

ASSEMBLY INSTRUCTION

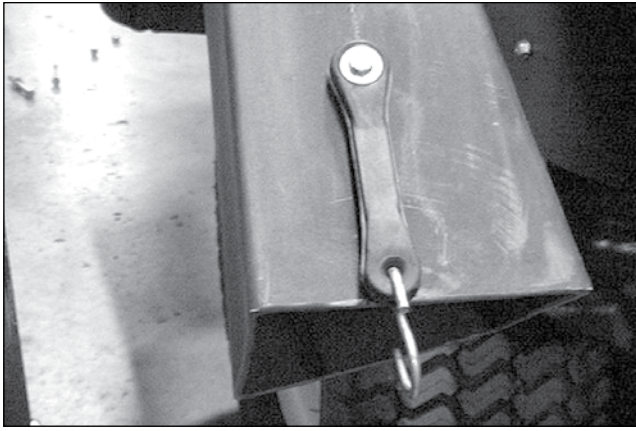


Figure 7
Fasten the tie down strap to the lower discharge tube using the 1/4" bolt, washers, and nut supplied in bolt bag.



Figure 10
This completes the installation of your new Encore grass catcher system. Note that when engaging the PTO switch; always make certain the unit is running 3/4 to full throttle so as to prevent stalling.

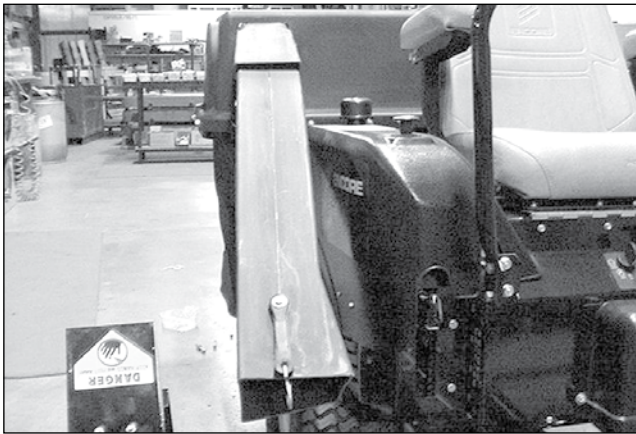


Figure 8
Slide the lower tube into the upper tube as illustrated.

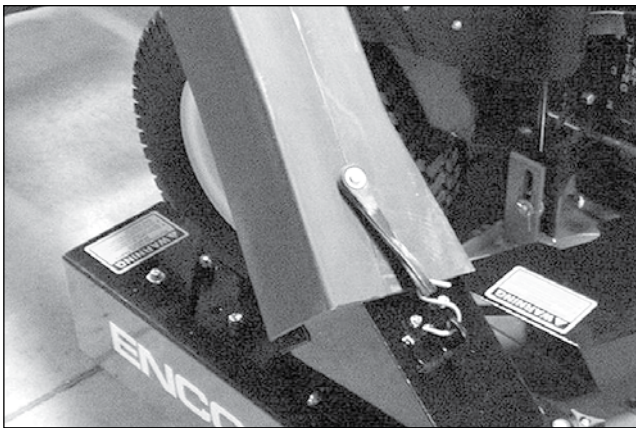


Figure 9
Attach the lower discharge tube to the blower assembly by hooking the tie down strap to the eyelet on the blower.